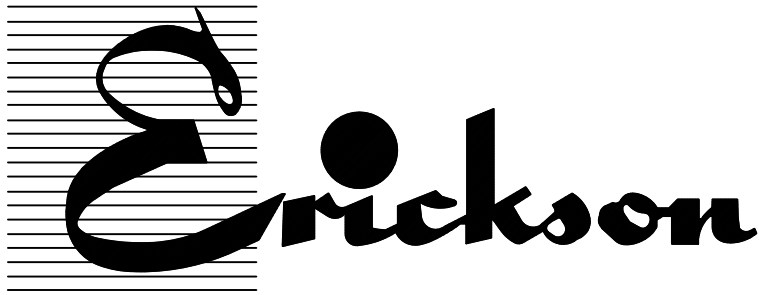


SEPTEMBER 1, 2009

BULLETIN

PMTB-09B



[www.ericksonelectric.com](http://www.ericksonelectric.com)

400 - 800 AMP

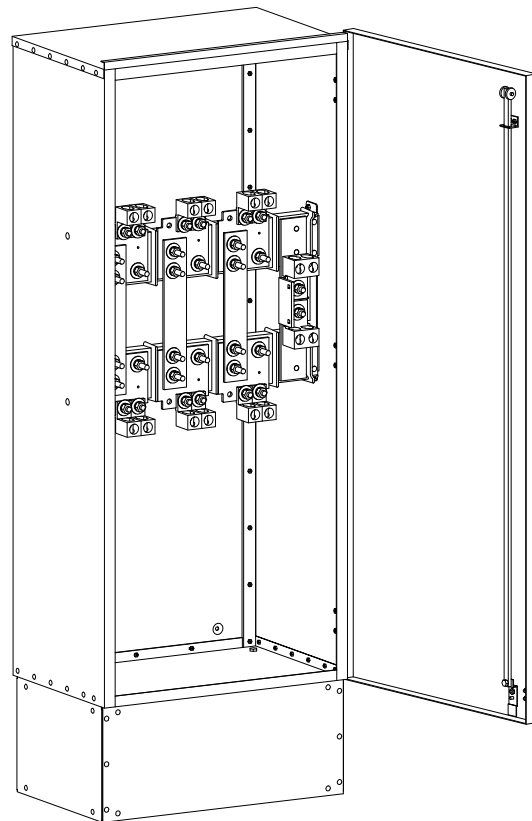
## PAD MOUNTED TERMINATION CABINETS



FILE NO. E62784

600 VOLT MAXIMUM

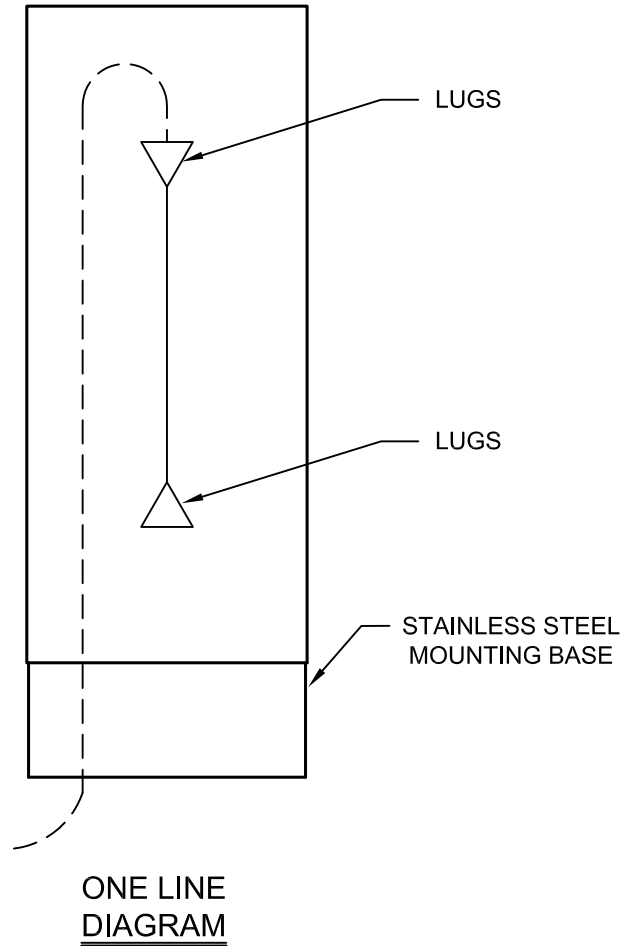
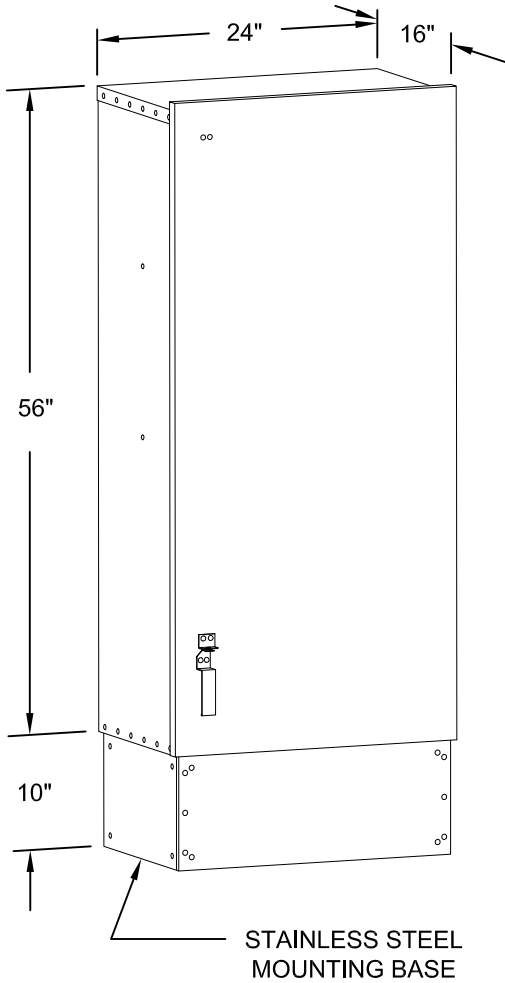
TYPE 3R ENCLOSURE  
FOR OUTDOOR USE



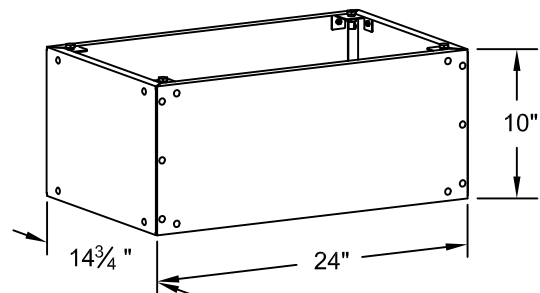
**ERICKSON ELECTRICAL EQUIPMENT CO.**  
475 BONNIE LANE • ELK GROVE VILLAGE, IL 60007  
TELEPHONE: (847) 640-7701 / 1-800-952-7225  
FAX: (847) 640-0565

# CATALOG NUMBERS

AMPACITY	1 $\phi$ 3W	3 $\phi$ 3W	3 $\phi$ 4W	NO.OF LUGS PER PHASE #4-600 MCM	UNPROTECTED FAULT CURRENT RATING	ENCLOSURE SIZE			SHIPPING WEIGHTS
						WIDTH	HEIGHT	DEPTH	
400	PMTB-365N	PMTB-365	PMTB-465N	1	42,000 Amp	24"	56"	16"	3W-150 4W-155
600-800	PMTB-367N	PMTB-367	PMTB-467N	2	65,000 Amp	24"	56"	16"	3W-165 4W-170



THE ABOVE CABINETS ARE PROVIDED WITH A STAINLESS STEEL MOUNTING BASE (CAT.# PMB1624X10). THE BASE IS FIRST ANCHORED TO THE CONCRETE PAD AND THEN THE TERMINATION CABINET IS FASTENED TO THE MOUNTING BASE WITH THE HARDWARE PROVIDED.



**ERICKSON ELECTRICAL EQUIPMENT CO.**  
 475 BONNIE LANE • ELK GROVE VILLAGE, IL 60007  
 TELEPHONE: (847) 640-7701 / 1-800-952-7225  
 FAX: (847) 640-0565