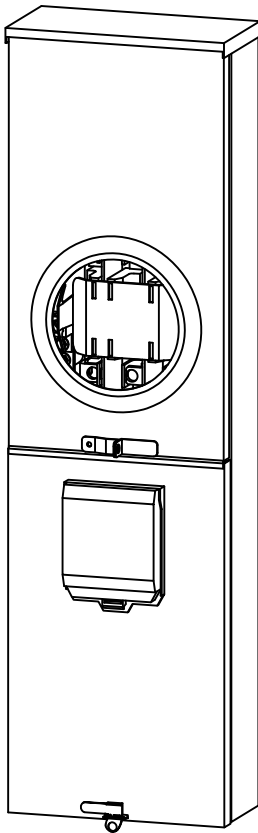


ERICKSON ELECTRICAL EQUIPMENT CO. SINGLE METER DISCONNECT COMMERCIAL METERING PANELBOARDS

FOR 3PH 4W, 208Y/120V. OR 120/240V. DELTA
FOR INDOOR OR OUTDOOR USE (TYPE 3R CONSTRUCTION)



FEATURES:

- TYPE 3R ALUMINUM ENCLOSURES INSTALL EASILY, NEVER RUST.
- SHORT CIRCUIT CURRENT RATINGS UP TO 200,000 RMS SYMMETRICAL AMPERES - WITH PULLOUT.
- LISTED BY UNDERWRITERS LABORATORIES INC, AS ENCLOSED PANELBOARDS, FILE E-12208.
- SUITABLE FOR USE AS SERVICE ENTRANCE EQUIPMENT.
- MAIN LUGS ARE SUITABLE FOR COPPER OR ALUMINUM CONDUCTORS.
- AVAILABLE WITH CIRCUIT BREAKER OR FUSIBLE PULL OUT SWITCH OVERCURRENT DEVICES.
- METER SOCKETS ARE RATED 200 AMPS. CONTINUOUS WITH MANUAL BYPASSES.



APPLICATION: FOR SINGLE TENANT COMMERCIAL METERING WHERE METER DISCONNECT SEQUENCE (HOT SEQUENCE) IS REQUIRED. LINE CONDUCTORS MUST ENTER AT TOP OF ENCLOSURE.

RATINGS: PANELBOARDS WITH CIRCUIT BREAKER DISCONNECTS MAY HAVE A MAXIMUM AMPERE RATING OF 200 AMPS.
PANELBOARDS WITH PULLOUT SWITCH DISCONNECTS MAY HAVE A MAXIMUM AMPERE RATING OF 200 AMPS.

www.ericksonelectric.com

ERICKSON ELECTRICAL EQUIPMENT CO.
475 BONNIE LANE • ELK GROVE VILLAGE, IL 60007
TELEPHONE: (847) 640-7701 / 1-800-952-7225
FAX: (847) 640-0565

TYPE SMP, SMCB PANELBOARDS

3PH 4W 208Y/120V OR 120/240V DELTA

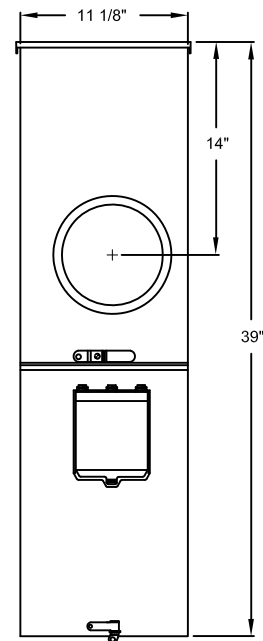
(HOT SEQUENCE)

DISC. TYPE	MAXIMUM AMPACITY	CATALOG NO.	PULLOUT OR CIRCUIT BRKR. (TYPE)	WITHSTAND * RATING
PULLOUT	100	SMP323NSU	PT323	200,000
	200	SMP324NSU	PT324	200,000
CIRCUIT BREAKER	100	SMCB323NSU	QC EHD QCHW	10,000 18,000 22,000
	200	SMCB324NSU	ED	18,000

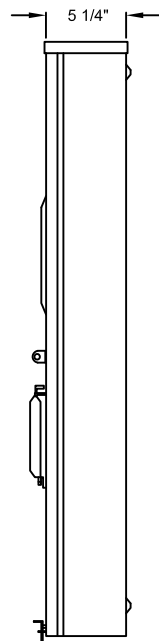
* THE WITHSTAND RATING IS LIMITED TO THE LOWEST WITHSTAND RATING OF ANY COMPONENTS IN THE SYSTEM.

*** LINE CONDUCTORS MUST TERMINATE AT TOP – LOAD MUST EXIT AT BOTTOM ***

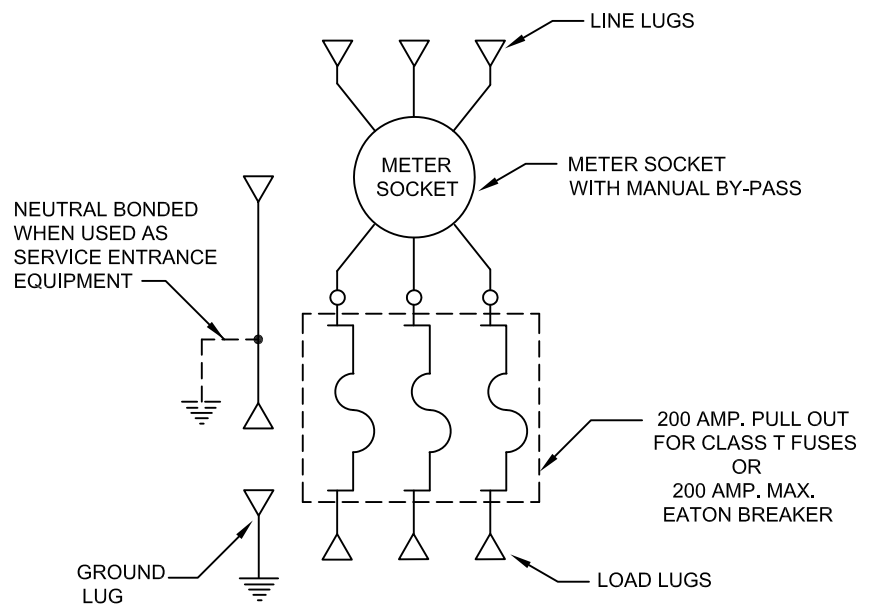
FOR 1PH 3W OR 3PH 3W APPLICATIONS, PLEASE CONTACT THE FACTORY DIRECTLY.



FRONT VIEW



SIDE VIEW



WIRING DIAGRAM