

JUNE 1, 2011

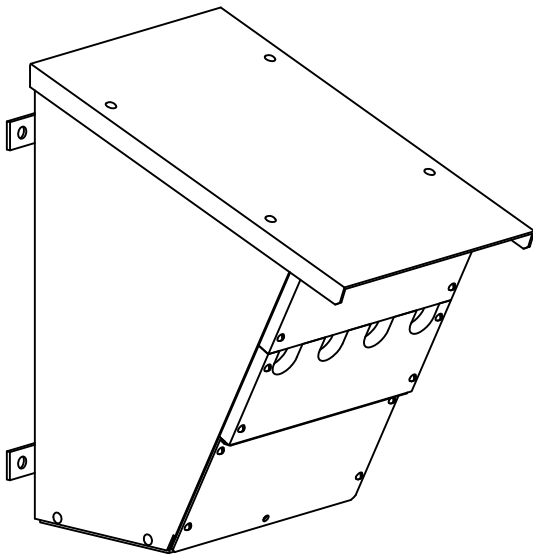
BULLETIN

SH-11

www.ericksonelectric.com

ALUMINUM BOX TYPE SERVICE HEADS

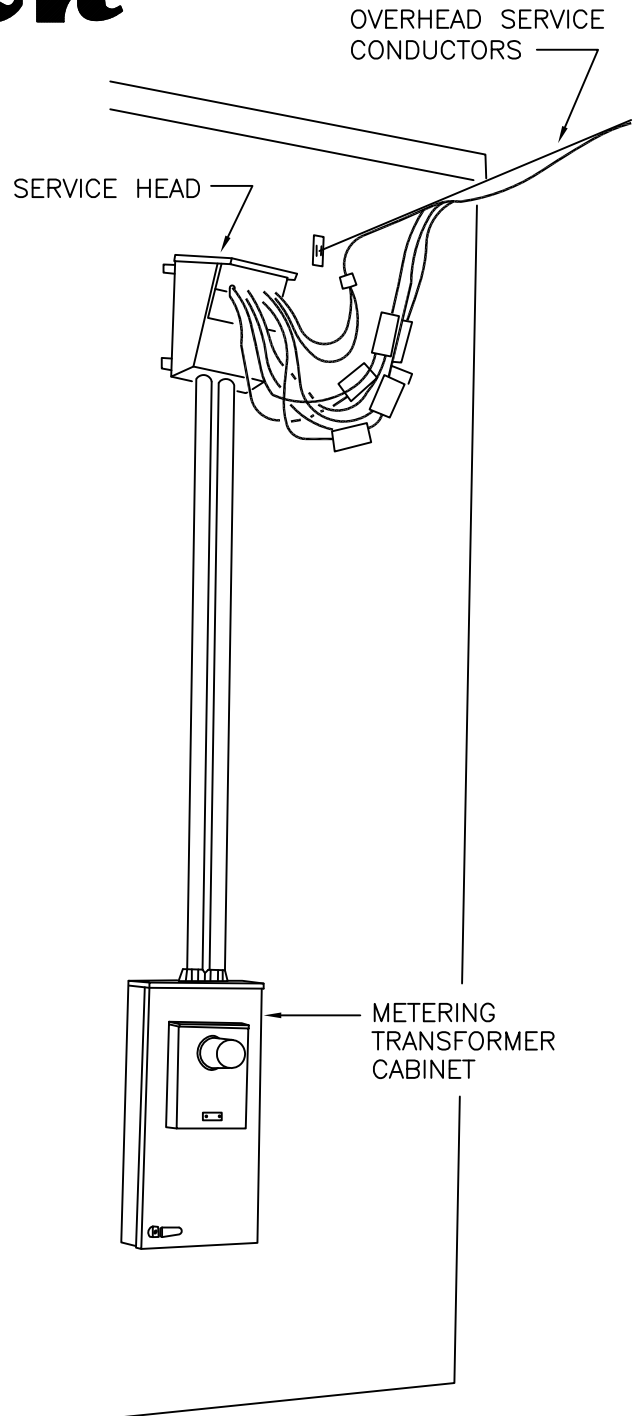
FOR USE WITH OVERHEAD SERVICE CONDUCTORS



AVAILABLE IN SIZES FOR
1 THRU 10 CONDUITS



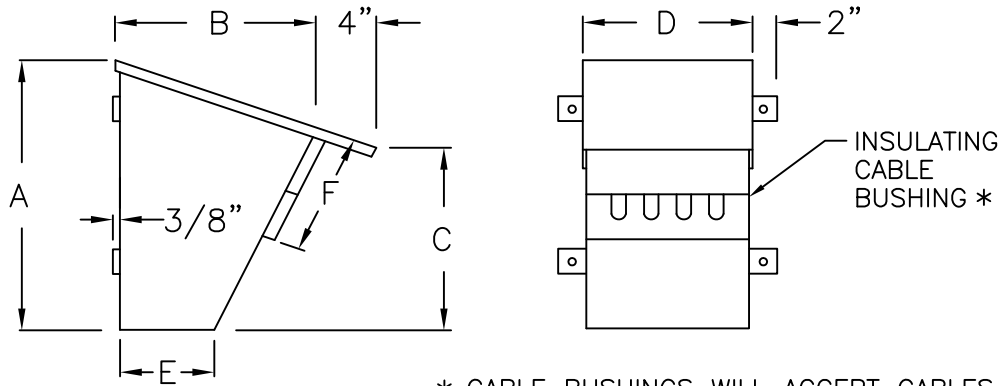
FILE NO. E165784



TYPICAL INSTALLATION

ERICKSON ELECTRICAL EQUIPMENT CO.
475 BONNIE LANE • ELK GROVE VILLAGE, IL 60007
TELEPHONE: (847)-640-7701 / 1-800-952-7225
FAX: (847)-640-0565

ALUMINUM BOX TYPE SERVICE HEADS



* CABLE BUSHINGS WILL ACCEPT CABLES
UP TO 600MCM

CATALOG NUMBER	*NO. OF CONDUITS	SYSTEM	DIMENSIONS IN INCHES						SHIPPING WT.(LBS)
			A	B	C	D	E	F	
272-1-4W	1	4 WIRE	24	18	18	14	8	12	35
272-1-3W		3 WIRE							
272-2-4W	2	4 WIRE	24	18	18	14	8	12	35
272-2-3W		3 WIRE							
272-3-4W	3	4 WIRE	30	20	24	18	8	16	55
272-3-3W		3 WIRE							
272-4-4W	4	4 WIRE	32	24	28	28	8	20	80
272-4-3W		3 WIRE							
** 272-6-4W	5 OR 6	4 WIRE	36	26	32	36	15	20	150
272-6-3W		3 WIRE							
** 272-7-4W	7	4 WIRE	36	26	32	42	15	24	175
272-7-3W		3 WIRE							
** 272-10-4W	8 OR 10	4 WIRE	39	28	35	48	15	26	225
272-10-3W		3 WIRE							

** NON STOCK ITEM.

FEATURES:

ALUMINUM CONSTRUCTION, WEIGHS LESS THAN STEEL, NEVER RUSTS.
SERVICE HEADS FOR 1 THRU 4 CONDUITS ARE SHIPPED UNASSEMBLED
AND CAN BE SENT U.P.S. THEY ARE EASILY PUT TOGETHER USING
ONLY HAND TOOLS.

ERICKSON ELECTRICAL EQUIPMENT CO.
475 BONNIE LANE • ELK GROVE VILLAGE, IL 60007
TELEPHONE: (847) 640-7701 / 1-800-952-7225
FAX: (847) 640-0565