



MAY 1, 2007

BULLETIN

PMCTMS-04A

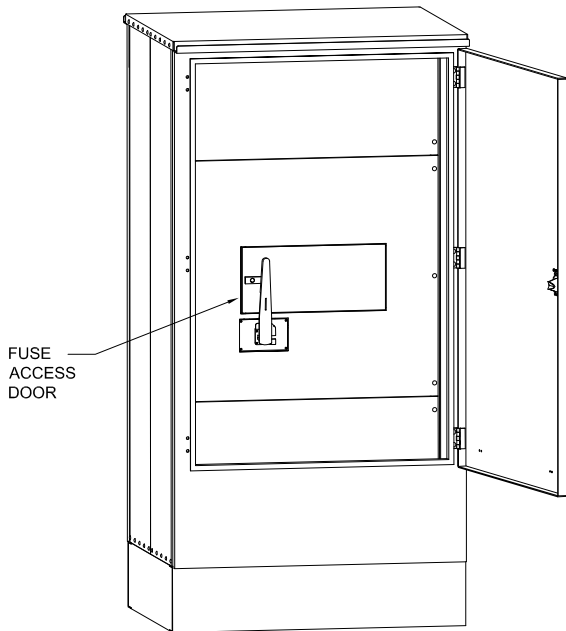
[www.ericksonelectric.com](http://www.ericksonelectric.com)

# PAD MOUNTED METERING TRANSFORMER SECTION & MAIN SWITCH

400, 600 & 800 AMP.

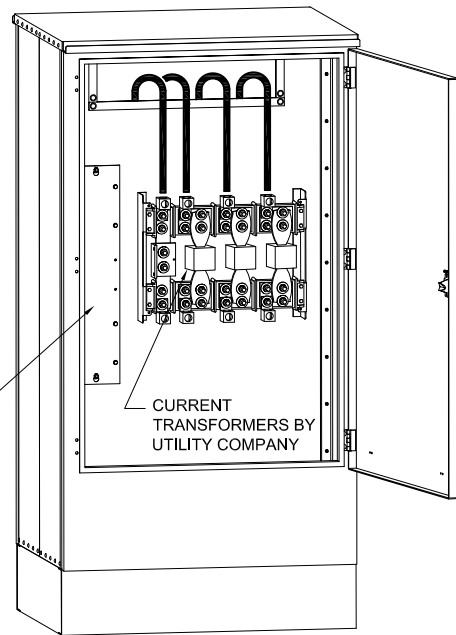


FILE NO. E25335



FUSE ACCESS DOOR

MAIN SWITCH COMPARTMENT WITH DEADFRONT COVERS IN PLACE.  
LOAD CONDUCTORS EXIT BELOW SWITCH.



POTENTIAL TRANSFORMER MOUNTING PLATE (WHEN REQUIRED)

CURRENT TRANSFORMERS BY UTILITY COMPANY

SECTION FOR TERMINATION OF UNDERGROUND SERVICE CONDUCTORS.

PAD MOUNTED, FREE STANDING

TYPE 3R ENCLOSURE

SUITABLE FOR USE AS SERVICE EQUIPMENT

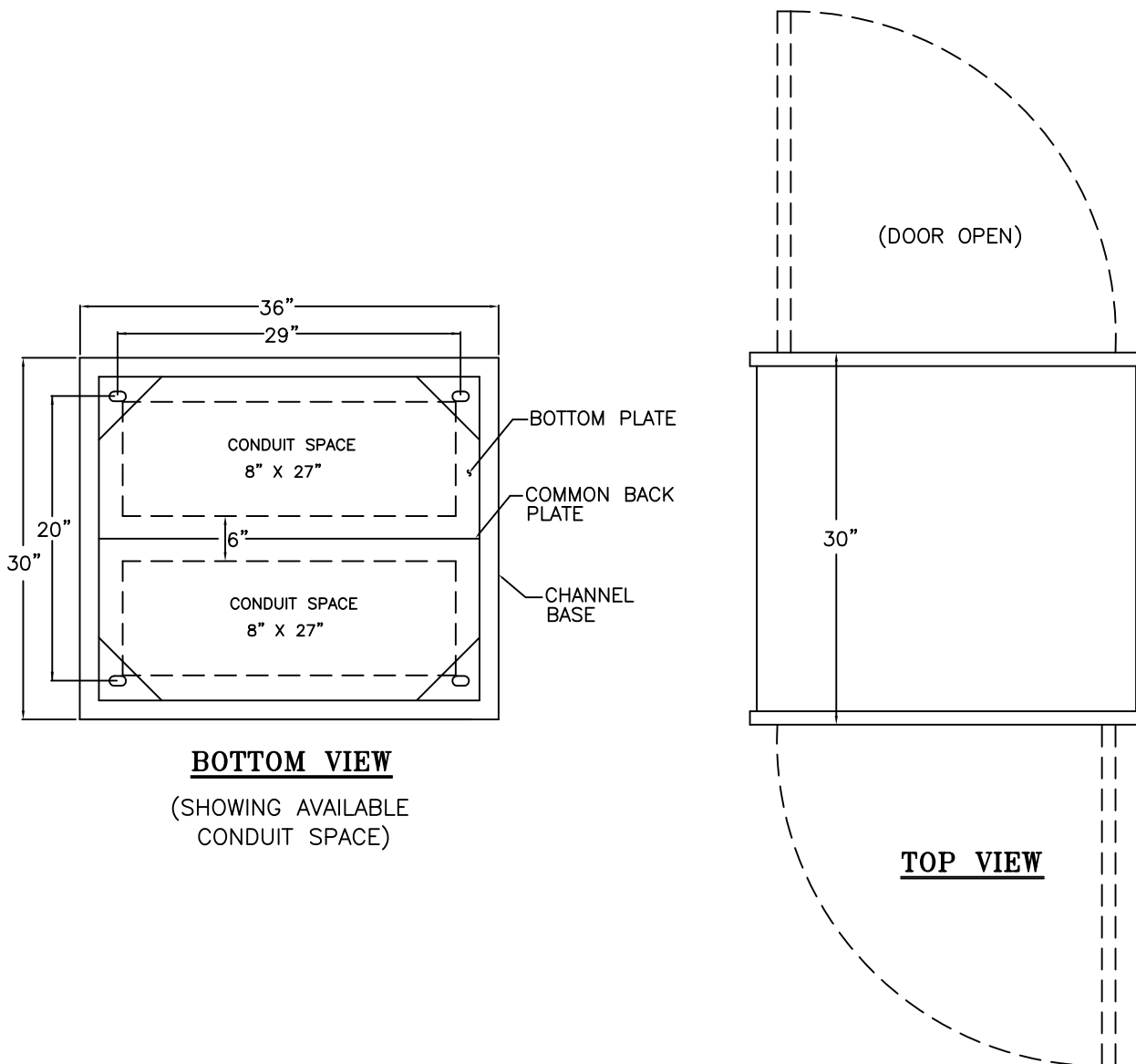
**ERICKSON ELECTRICAL EQUIPMENT CO.**  
475 BONNIE LANE • ELK GROVE VILLAGE, IL 60007  
TELEPHONE: (847) 640-7701 / 1-800-952-7225  
FAX: (847) 640-0565

PAD MOUNTED METERING TRANSFORMER SECTION  
& MAIN SWITCH

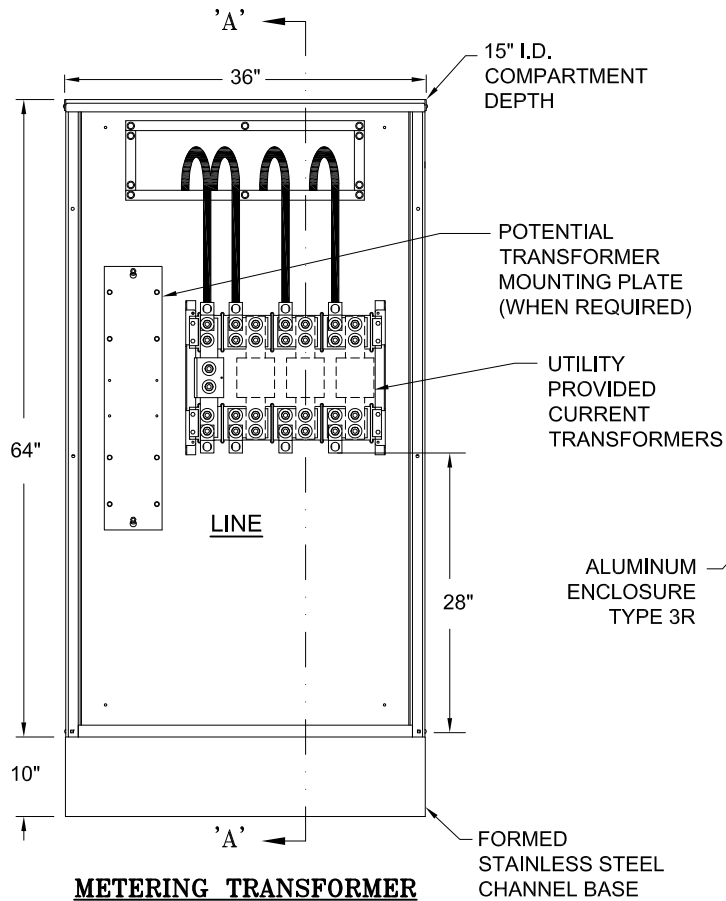
THIS EQUIPMENT IS LISTED BY UNDERWRITERS LABORATORIES INC.  
AS 'DEADFRONT SWITCHBOARD' AND BEARS THEIR MARK.

SUITABLE FOR USE AS SERVICE EQUIPMENT

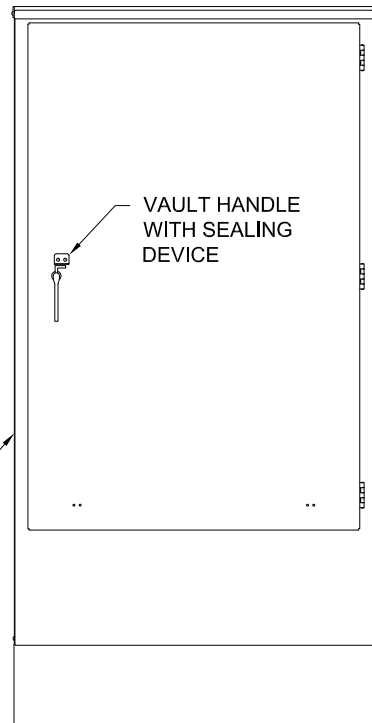
THE SHORT CIRCUIT CURRENT RATING OF THIS DEVICE IS 100,000 AMPS.



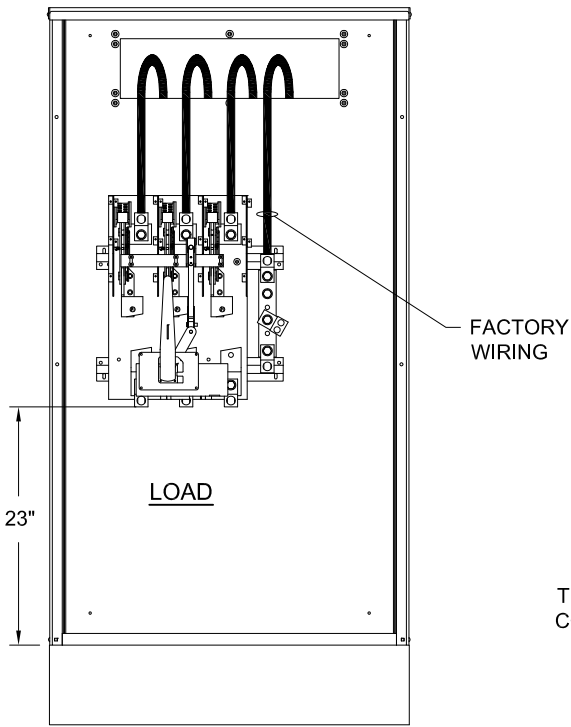
**ERICKSON ELECTRICAL EQUIPMENT CO.**  
475 BONNIE LANE • ELK GROVE VILLAGE, IL 60007  
TELEPHONE: (847) 640-7701 / 1-800-952-7225  
FAX: (847) 640-0565



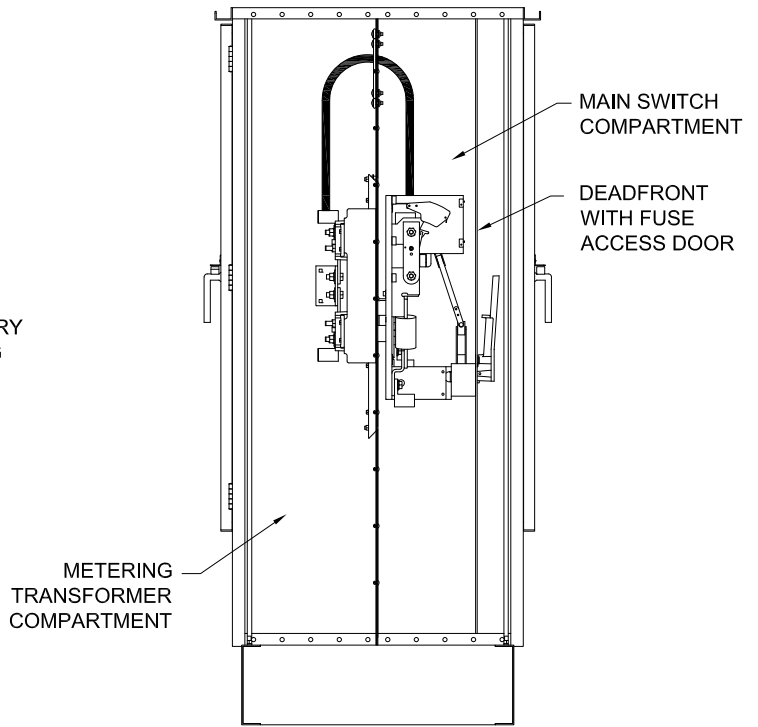
**METERING TRANSFORMER COMPARTMENT**  
(COVER REMOVED)



**FRONT ENCLOSED VIEW**



**MAIN SWITCH COMPARTMENT**  
(COVER REMOVED)

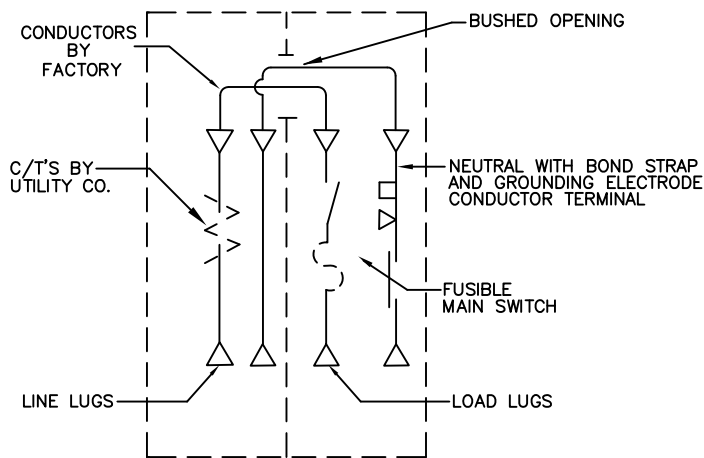


**SECTION 'A'-'A'**

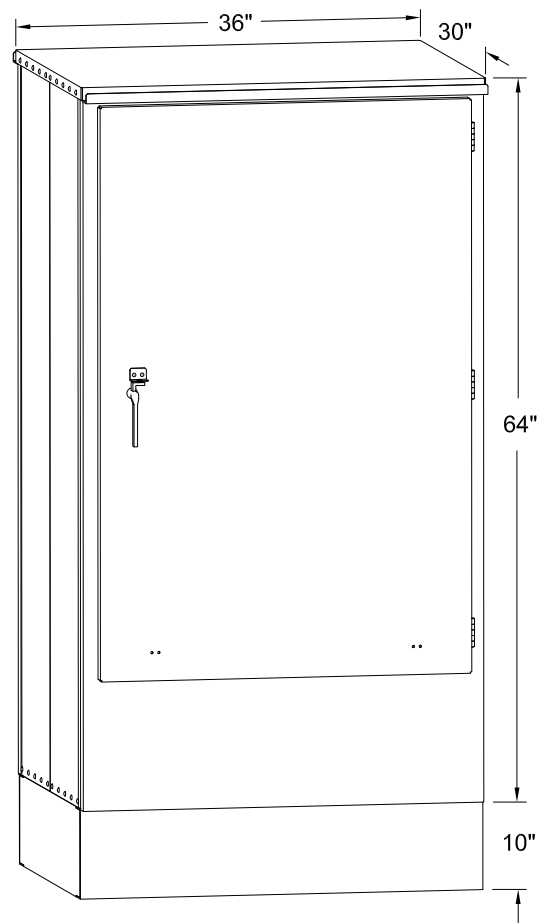
**ERICKSON ELECTRICAL EQUIPMENT CO.**  
 475 BONNIE LANE • ELK GROVE VILLAGE, IL 60007  
 TELEPHONE: (847) 640-7701 / 1-800-952-7225  
 FAX: (847) 640-0565

PAD MOUNTED METERING TRANSFORMER SECTION  
& MAIN SWITCH

400-800A 3Ø 4W CATALOG NUMBERS				
AMPACITY	208Y/120V CATALOG #	480Y/277V CATALOG #	FUSE CLASS	SHIPPING WEIGHTS (LBS.)
400	PMCTMS-425N	PMCTMS-465N	J	475
600	PMCTMS-426N	PMCTMS-466N	J	525
800	PMCTMS-427N	PMCTMS-467N	L	550



**ONE LINE DIAGRAM**



**ERICKSON ELECTRICAL EQUIPMENT CO.**  
 475 BONNIE LANE • ELK GROVE VILLAGE, IL 60007  
 TELEPHONE: (847) 640-7701 / 1-800-952-7225  
 FAX: (847) 640-0565