

MAY 1, 2007

BULLETIN

PMCTMS-04B



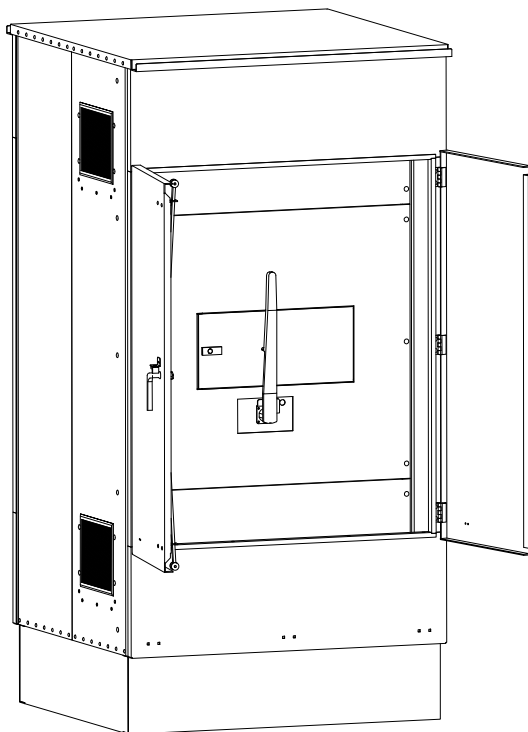
www.ericksonelectric.com

PAD MOUNTED METERING TRANSFORMER SECTION & MAIN SWITCH

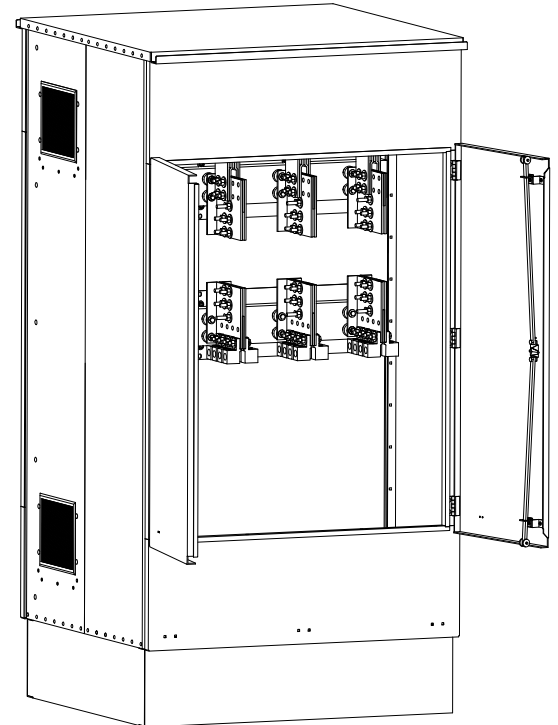
1200 AMP. TO 4000 AMP.



FILE NO. E25335



MAIN SWITCH COMPARTMENT.
LOAD CONDUCTORS EXIT
BELOW SWITCH.



SECTION FOR TERMINATION
OF UNDERGROUND SERVICE
CONDUCTORS.

PROVISIONS FOR MOUNTING
UTILITY COMPANY
CURRENT TRANSFORMERS AND
POTENTIAL TRANSFORMERS.

PAD MOUNTED, FREE STANDING

TYPE 3R ENCLOSURE

SUITABLE FOR USE AS
SERVICE EQUIPMENT

ERICKSON ELECTRICAL EQUIPMENT CO.
475 BONNIE LANE • ELK GROVE VILLAGE, IL 60007
TELEPHONE: (847) 640-7701 / 1-800-952-7225
FAX: (847) 640-0565

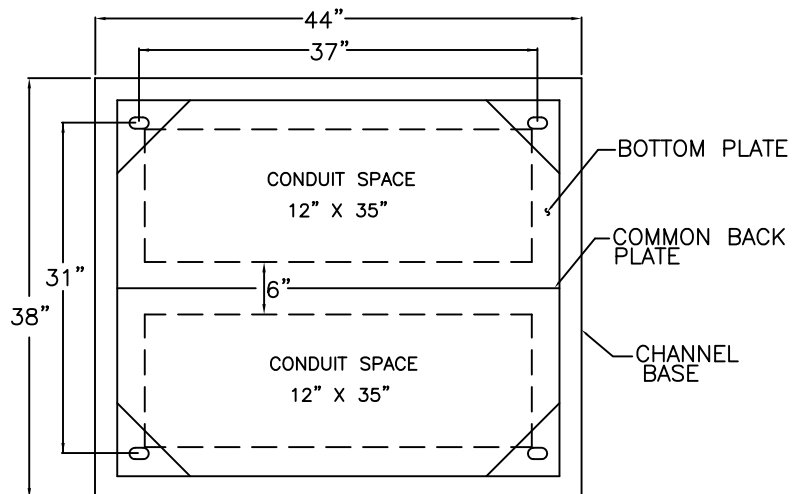
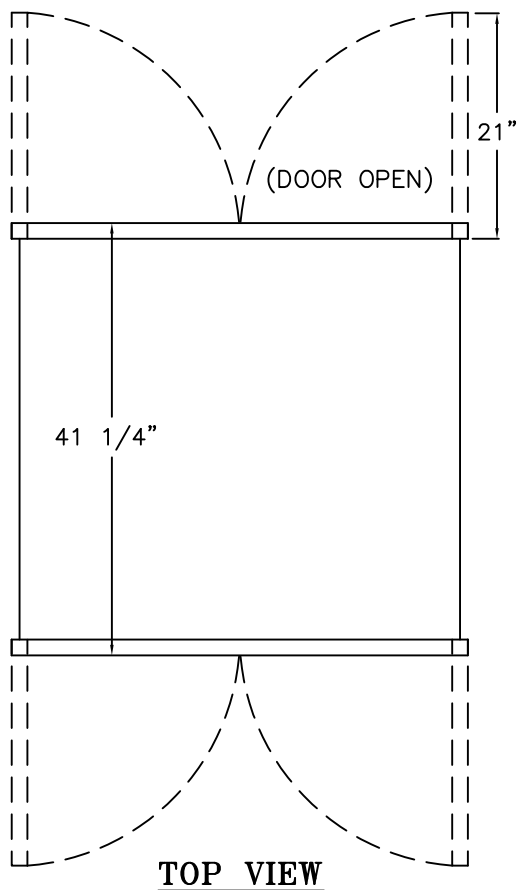
PAD MOUNTED METERING TRANSFORMER SECTION

& MAIN SWITCH

THIS EQUIPMENT IS LISTED BY UNDERWRITERS LABORATORIES INC.
AS 'DEADFRONT SWITCHBOARD' AND BEARS THEIR MARK.

SUITABLE FOR USE AS SERVICE EQUIPMENT

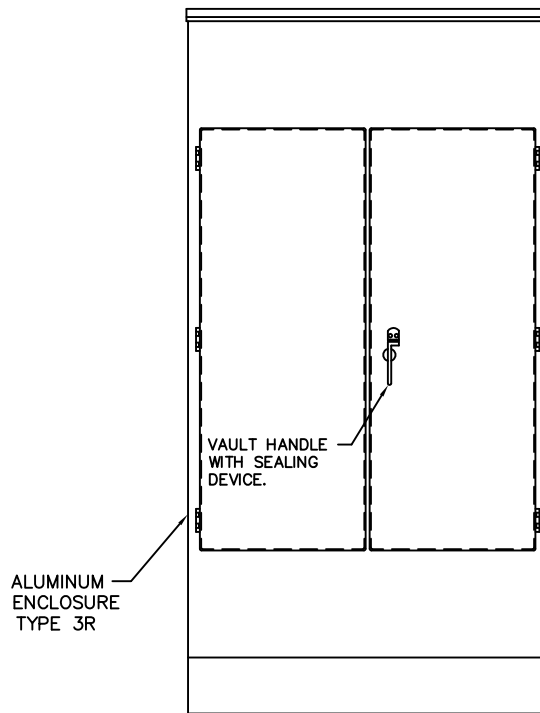
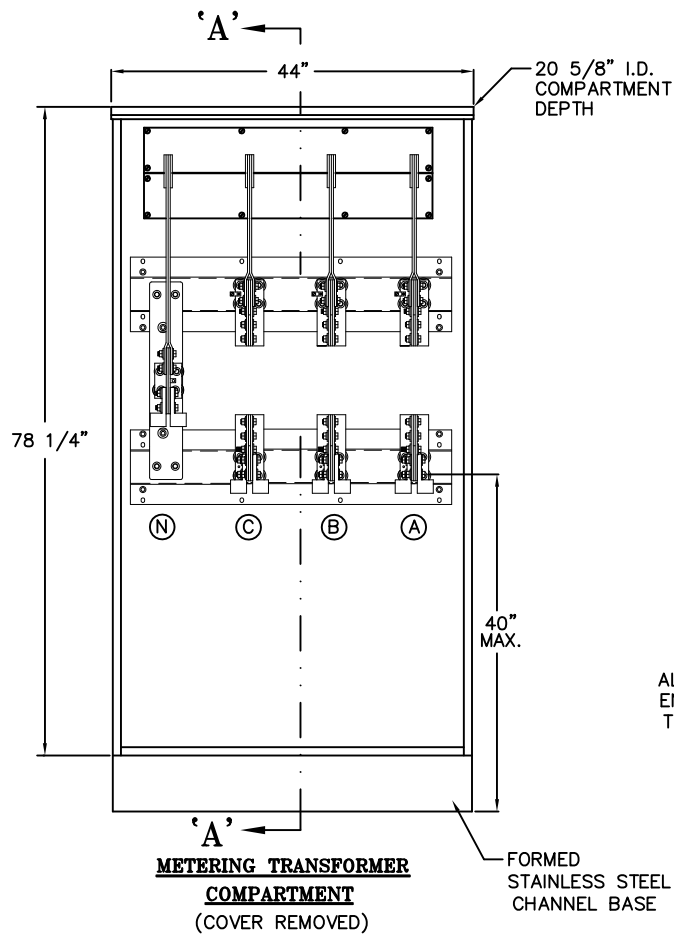
THE SHORT CIRCUIT CURRENT RATING OF THIS DEVICE IS 100,000 AMPS.



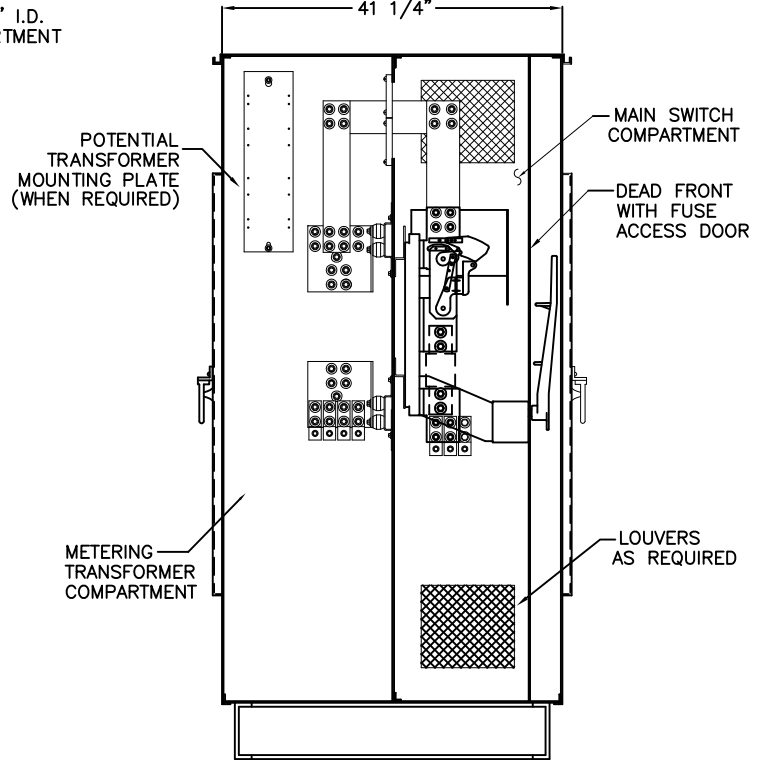
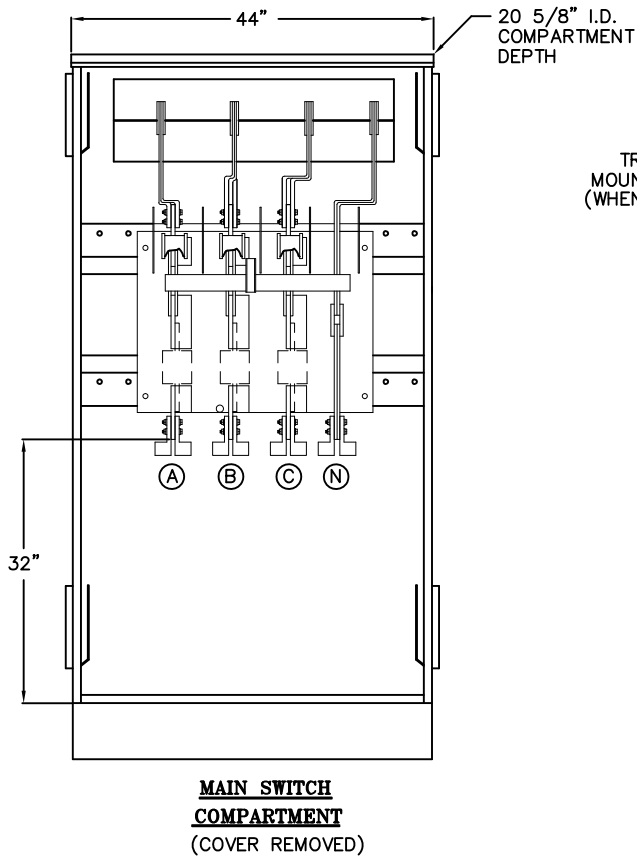
BOTTOM VIEW

(SHOWING AVAILABLE
CONDUIT SPACE)

ERICKSON ELECTRICAL EQUIPMENT CO.
475 BONNIE LANE • ELK GROVE VILLAGE, IL 60007
TELEPHONE: (847) 640-7701 / 1-800-952-7225
FAX: (847) 640-0565



FRONT ENCLOSED VIEW
(C/T SIDE)

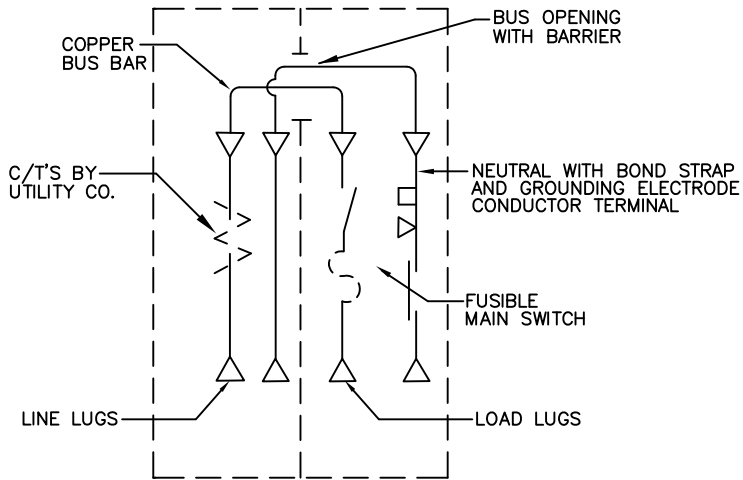


SECTION 'A'-'A'

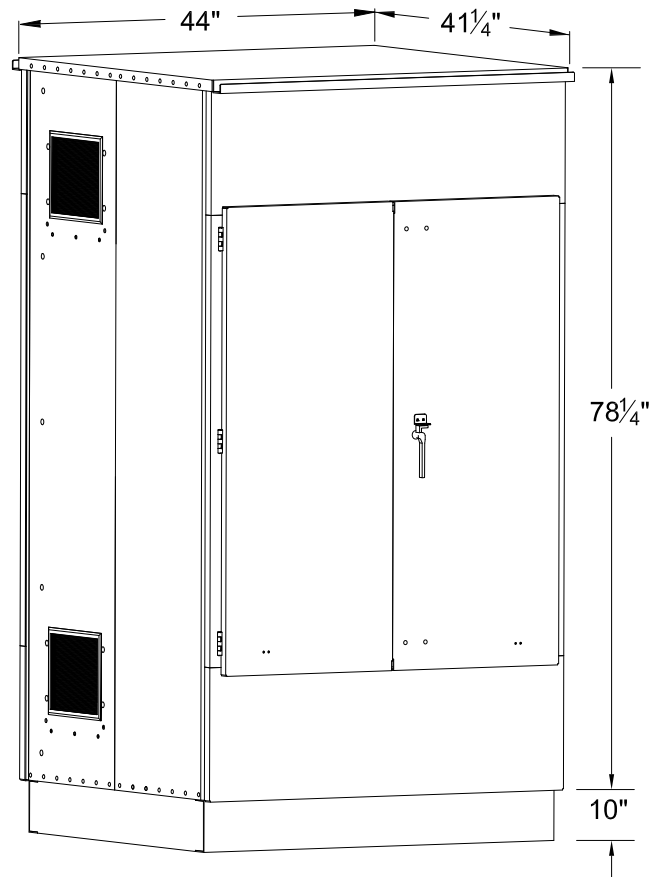
ERICKSON ELECTRICAL EQUIPMENT CO.
 475 BONNIE LANE • ELK GROVE VILLAGE, IL 60007
 TELEPHONE: (847) 640-7701 / 1-800-952-7225
 FAX: (847) 640-0565

PAD MOUNTED METERING TRANSFORMER SECTION
& MAIN SWITCH

1200-4000A 3Ø 4W CATALOG NUMBERS				
AMPACITY	208Y/120V CATALOG #	480Y/277V CATALOG # (INCLUDES GFI)	FUSE CLASS	SHIPPING WEIGHTS (LBS.)
1200	PMCTMS-428N	PMCTMS-468NG6	L	1075
1600	PMCTMS-429N	PMCTMS-469NG6	L	1225
2000	PMCTMS-4210N	PMCTMS-4610NG6	L	1250
2500	PMCTMS-4211N	PMCTMS-4611NG6	L	1275
3000	PMCTMS-4212N	PMCTMS-4612NG6	L	1325
4000	PMCTMS-4213N	PMCTMS-4613NG6	L	2000



ONE LINE DIAGRAM



ERICKSON ELECTRICAL EQUIPMENT CO.
475 BONNIE LANE • ELK GROVE VILLAGE, IL 60007
TELEPHONE: (847) 640-7701 / 1-800-952-7225
FAX: (847) 640-0565