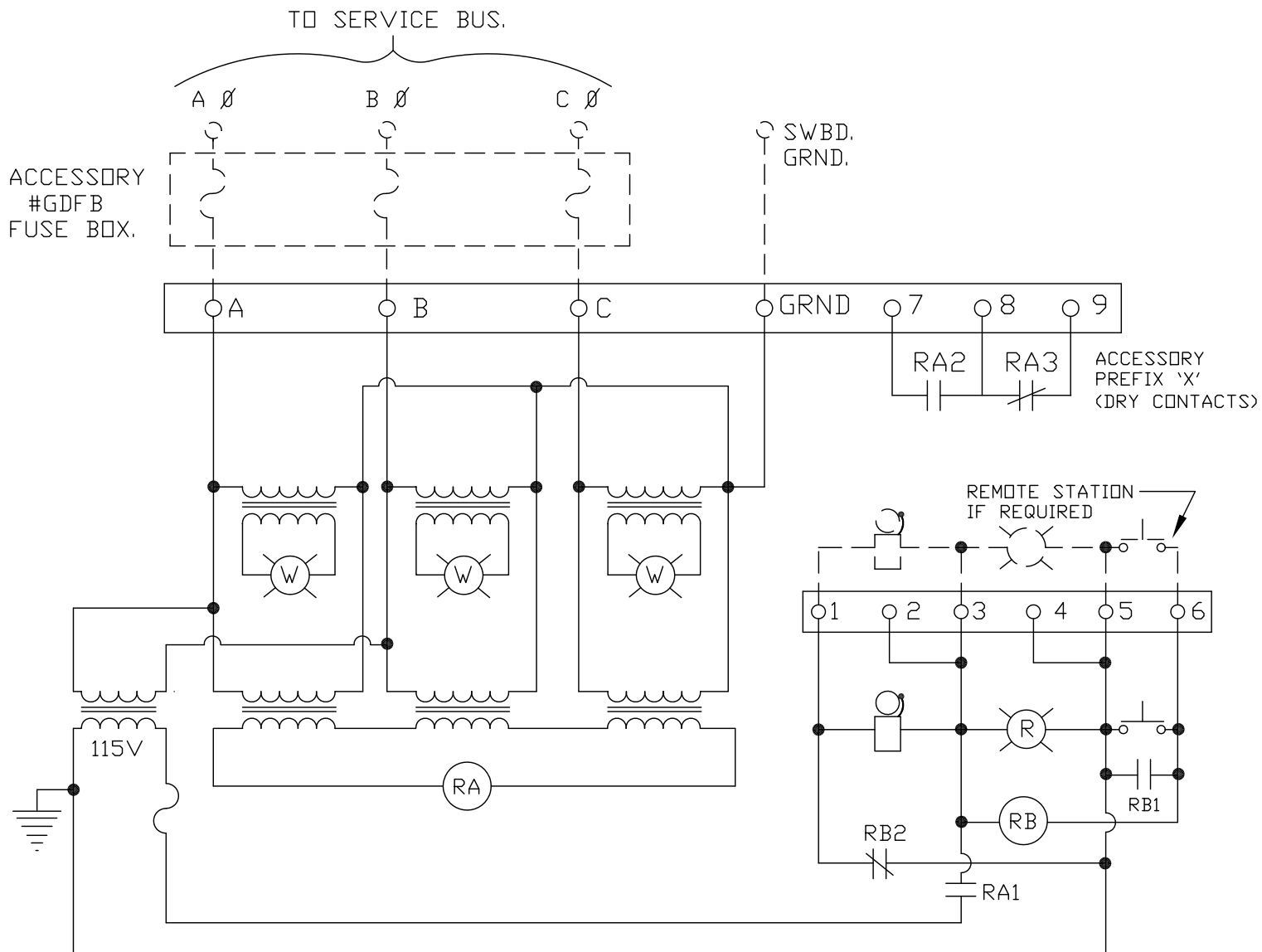


MODEL XVAP GROUND DETECTOR



NOTES:-

A Wire Ground should be run between Terminal 'G' of device and ground bus of service switchboard. The sensitivity of this device may be seriously impaired if a 'conduit' (or 'case') ground is used.

Phase Conductors A, B & C to this device should be fused (but not switched) at their source, in accordance with local codes. It should be noted that this device draws very little power. (Less than 30 Watts, Max.)

If remote devices are employed, they should be rated 115 volts.

To test this detector, remove Ground conductors from Terminal 'G' and, temporarily jumper one of the phase conductor to Terminal 'G'. The alarm should sound, and Acknowledge system should be operative. Repeat test on other phase. After testing, be sure to replace Ground conductor on Terminal 'G'.