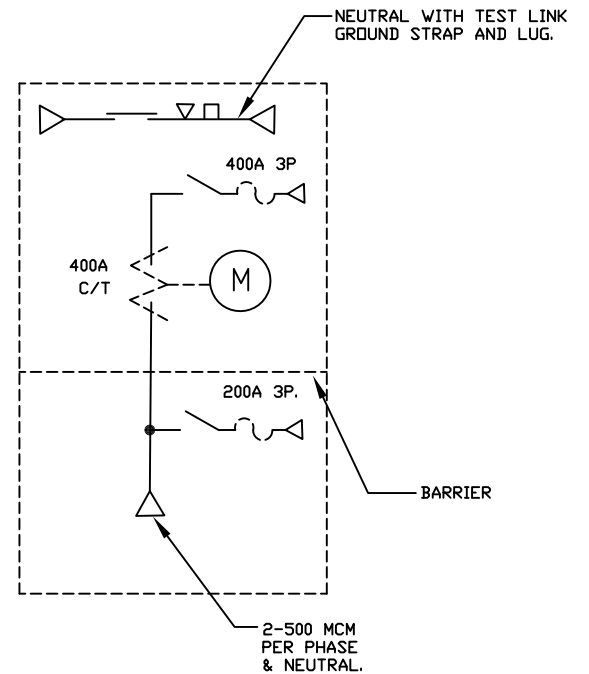



E T.M. **PANELBOARD**

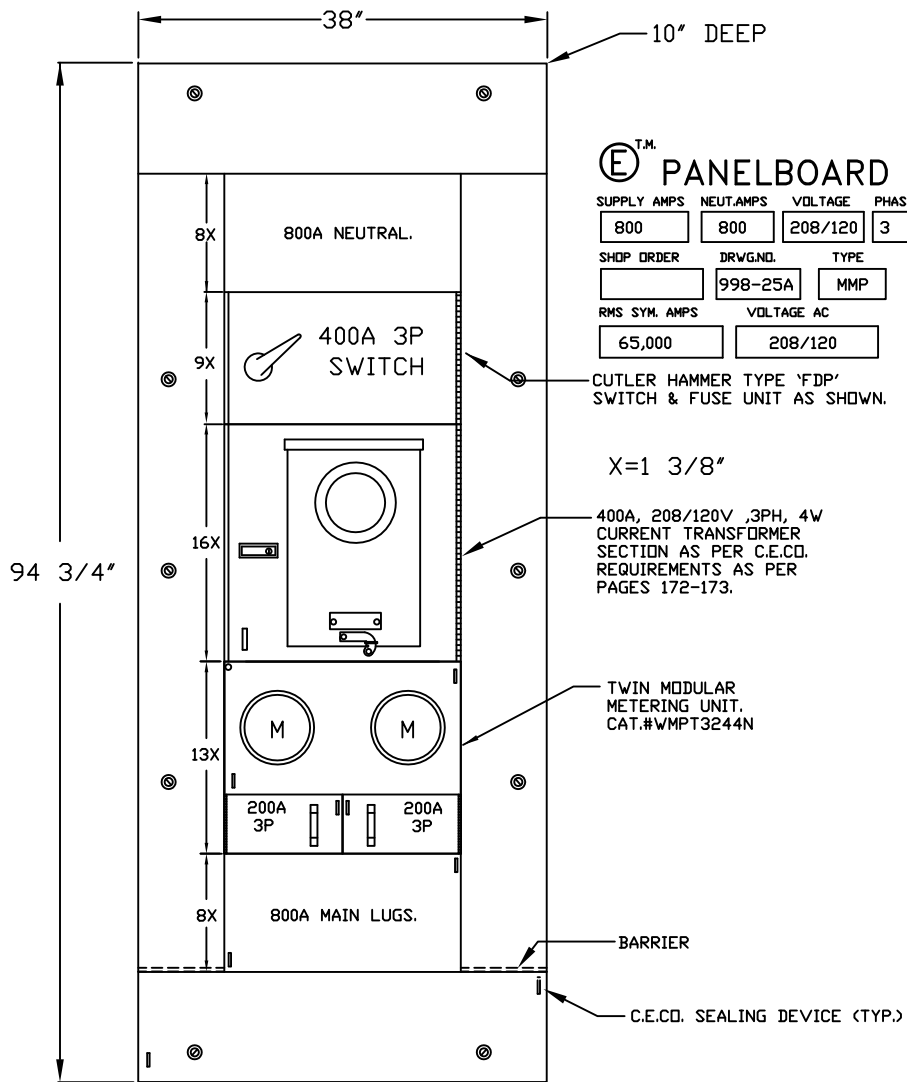
SUPPLY AMPS	NEUT.AMPS	VOLTAGE	PHASE	WIRE
800	800	208/120	3	4
SHOP ORDER	DRWG.ND.	TYPE		
	998-25	MMP		
RMS SYM. AMPS	VOLTAGE AC			
65,000	208/120			



ONE LINE DIAGRAM.

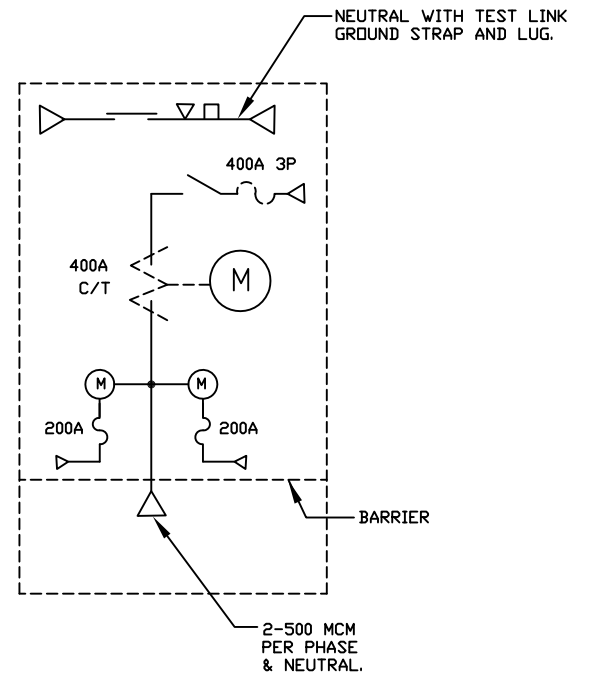
MODULAR METERING PANEL
800A 208/120V 3PH 4W

JOB:		TITLE: METER MODULE PANELBOARD	
CUSTOMER:		ENGINEER:	
REVISION	DWN. K.K.T		S.O.
	CHK B.E.		
	APP.		
	DATE: 9/29/98		
	SCALE.	ELECTRICAL EQUIPMENT COMPANY ELK GROVE VILLAGE, ILLINOIS. (847)-640-7701 MANUFACTURERS	DWG.



E^{T.M.} PANELBOARD

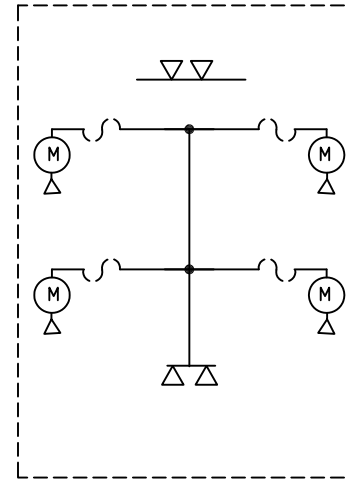
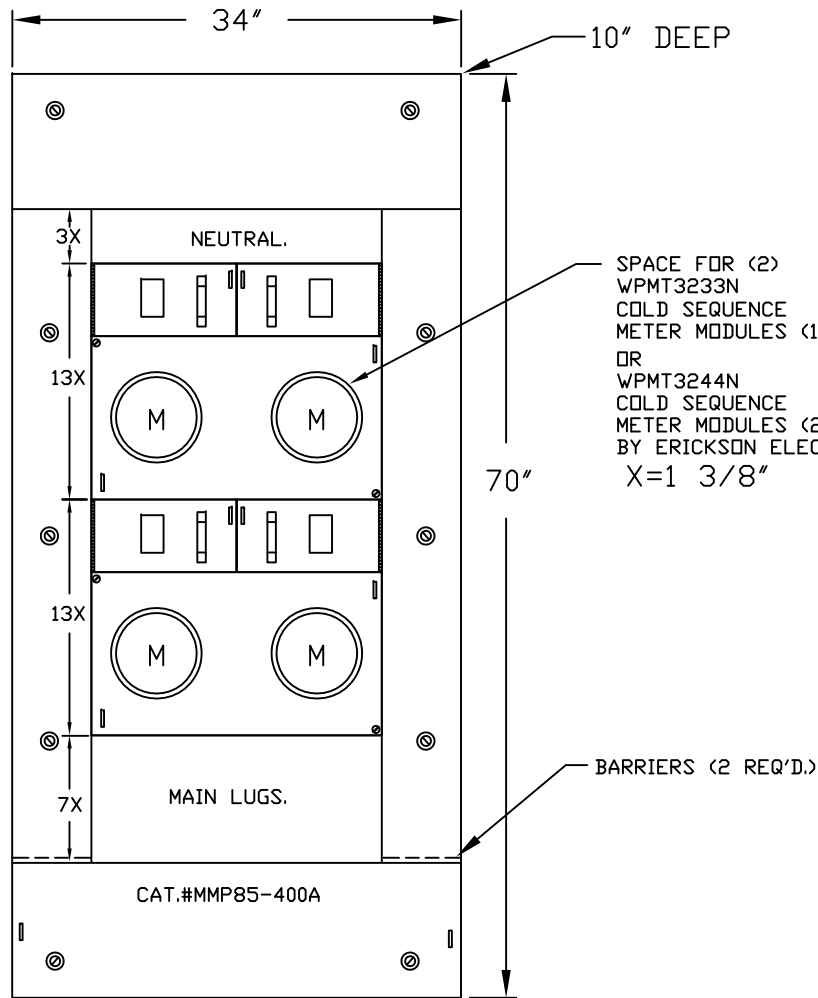
SUPPLY AMPS	NEUT.AMPS	VOLTAGE	PHASE	WIRE
800	800	208/120	3	4
SHOP ORDER	DRWG.NO.	TYPE		
	998-25A	MMP		
RMS SYM. AMPS	VOLTAGE AC			
65,000	208/120			




ONE LINE DIAGRAM.

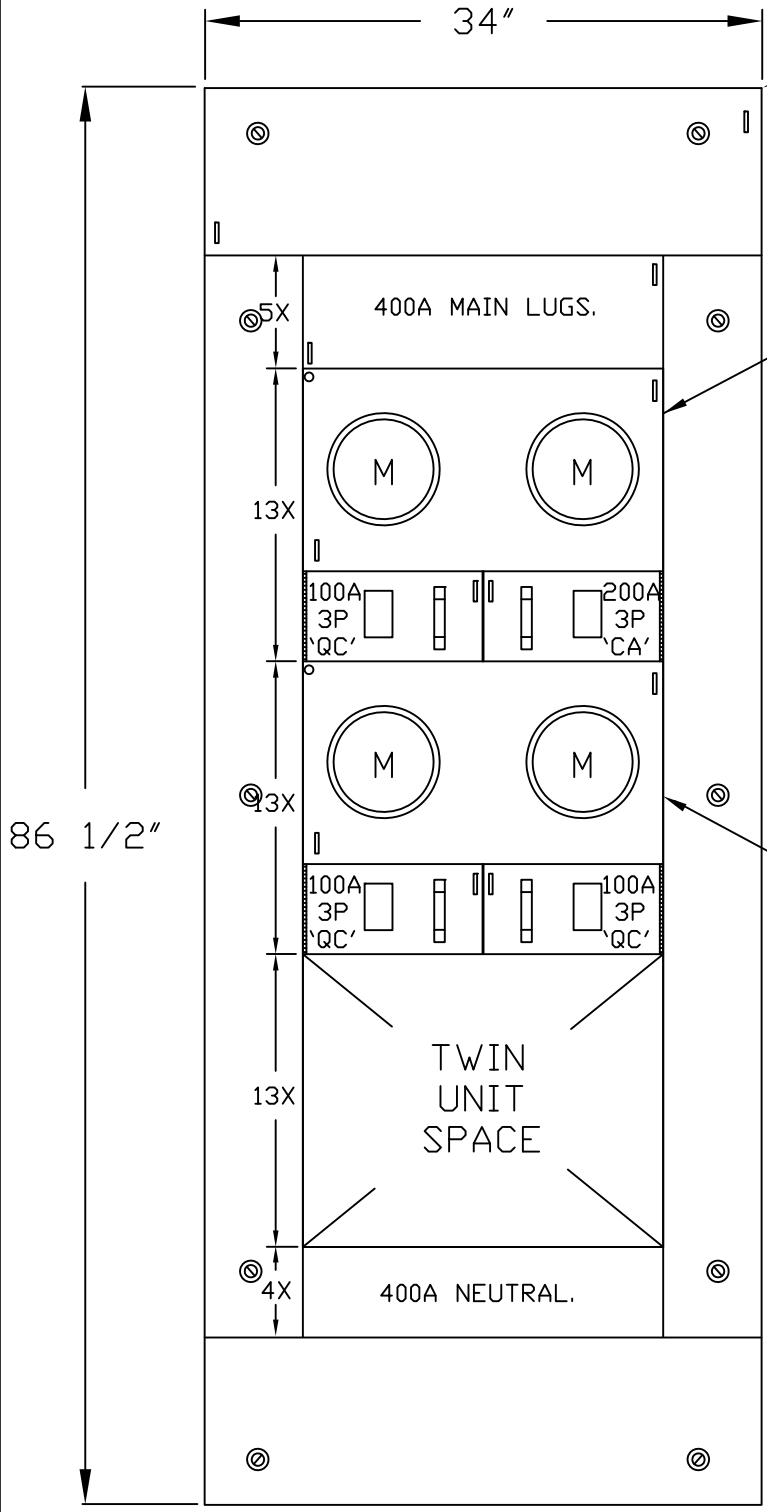
MODULAR METERING PANEL
800A 208/120V 3PH 4W

JOB:		TITLE: METER MODULE PANELBOARD	
CUSTOMER:		ENGINEER:	
REVISION	DWN. K.K.T	 ELECTRICAL EQUIPMENT COMPANY ELK GROVE VILLAGE, ILLINOIS. (847)-640-7701 MANUFACTURERS	S.O.
	CHK B.E.		DWG.
	APP.		
	DATE: 9/29/98		
	SCALE.		



METER MODULE PANELBOARD

JOB:		TITLE: METER MODULE PANELBOARD	
CUSTOMER:		ENGINEER:	
REVISION	DWN. K.K.T	 ELECTRICAL EQUIPMENT COMPANY ELK GROVE VILLAGE, ILLINOIS. (847)-640-7701 MANUFACTURERS	S.O.
	CHK B.E.		DWG.
	APP.		
	DATE: 9/29/98		
	SCALE.		



10" DEEP

TWIN MODULAR METERING UNIT. CAT.#WMCBT3234N

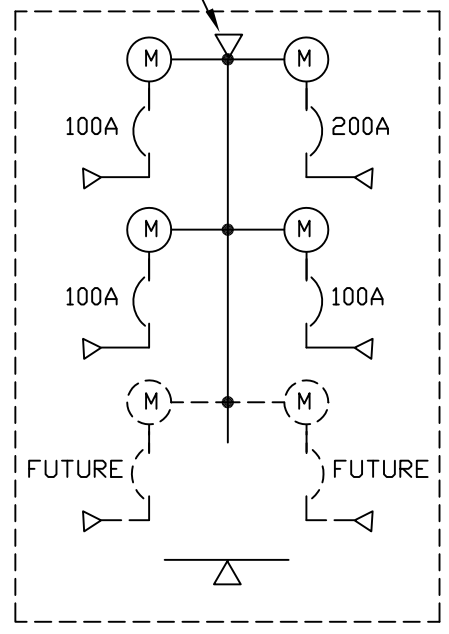
E^{T.M.} PANELBOARD

SUPPLY AMPS	NEUT. AMPS	VOLTAGE	PHASE WIRE	
400	400	208/120	3	4
SHOP ORDER	DRWG. NO.	TYPE		
901982	1190-8	MMP		
RMS SYM. AMPS		VOLTAGE AC		
65,000		208/120		

X=1 3/8"

TWIN MODULAR METERING UNIT. CAT.#WMCBT3233N

1-500 MCM LINE LUGS PER PHASE AND NEUTRAL.



MODULAR METERING PANEL
208/120 3Ø 4W

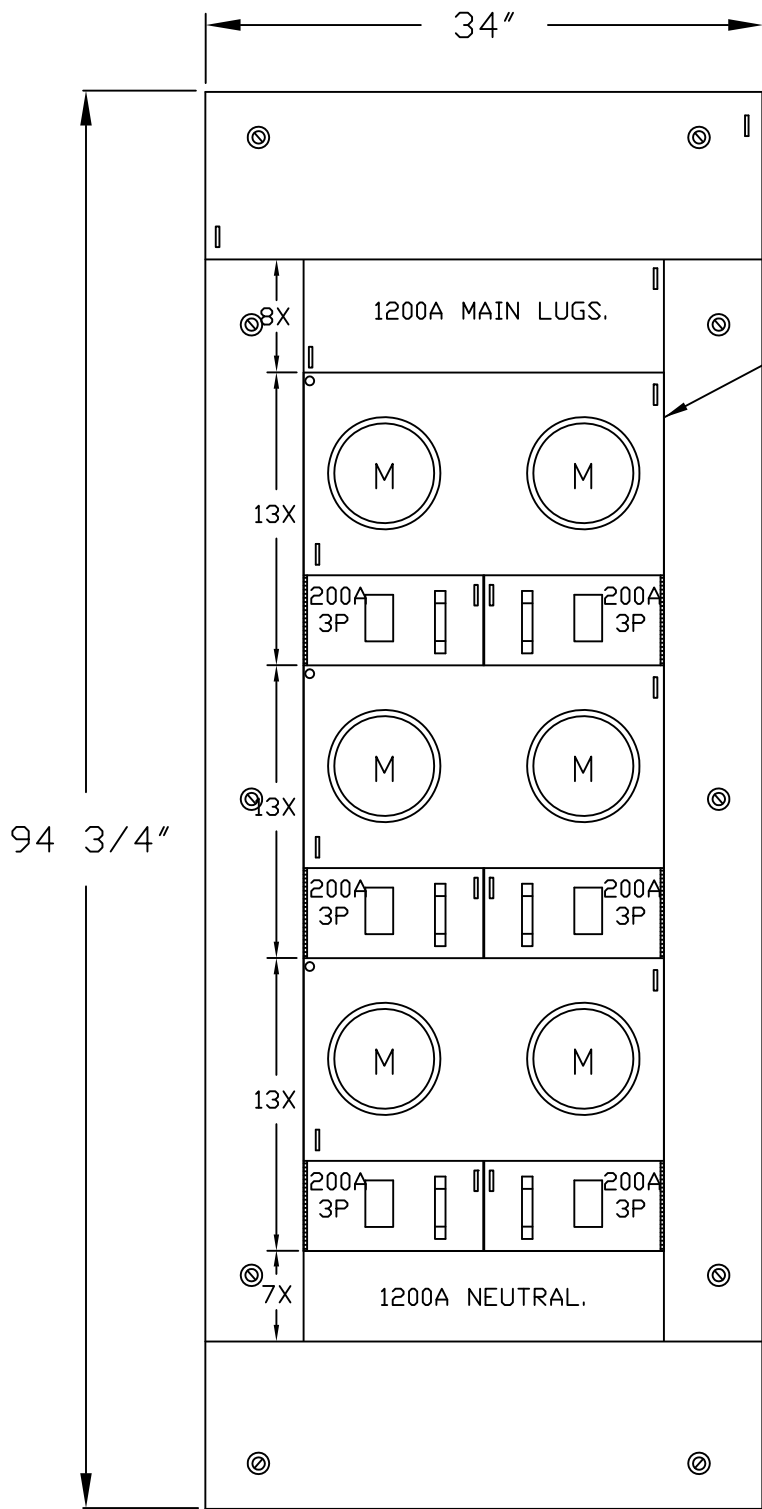
ONE LINE DIAGRAM.

JOB: _____ TITLE: _____



ELECTRICAL EQUIPMENT COMPANY
ELK GROVE VILLAGE, ILLINOIS.

CUSTOMER:				
DWN. BY	CHK. BY	DATE:	S.O.#	DWG.#



10" DEEP

TWIN MODULAR
METERING UNIT.
CAT.#WMPT3244N

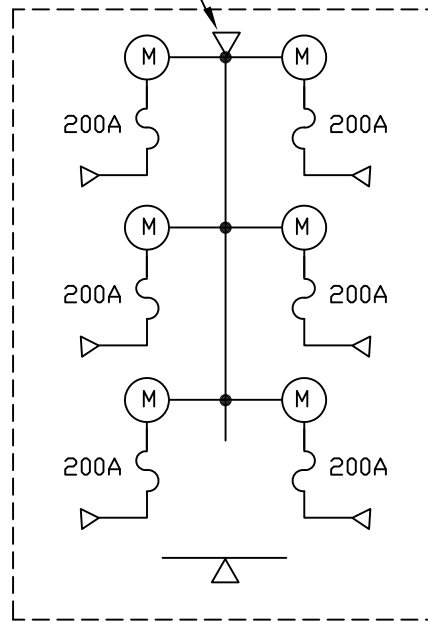
E^{T.M.} **PANELBOARD**

SUPPLY AMPS	NEUT. AMPS	VOLTAGE	PHASE	WIRE
1200	1200	208/120	3	4
SHOP ORDER	DRWG. NO.	TYPE		
		MMP		
RMS SYM. AMPS	VOLTAGE AC			
65,000	208/120			

X=1 3/8"

94 3/4"

3-500 MCM LINE LUGS
PER PHASE AND NEUTRAL.



MODULAR METERING PANEL
208/120 3Ø 4W

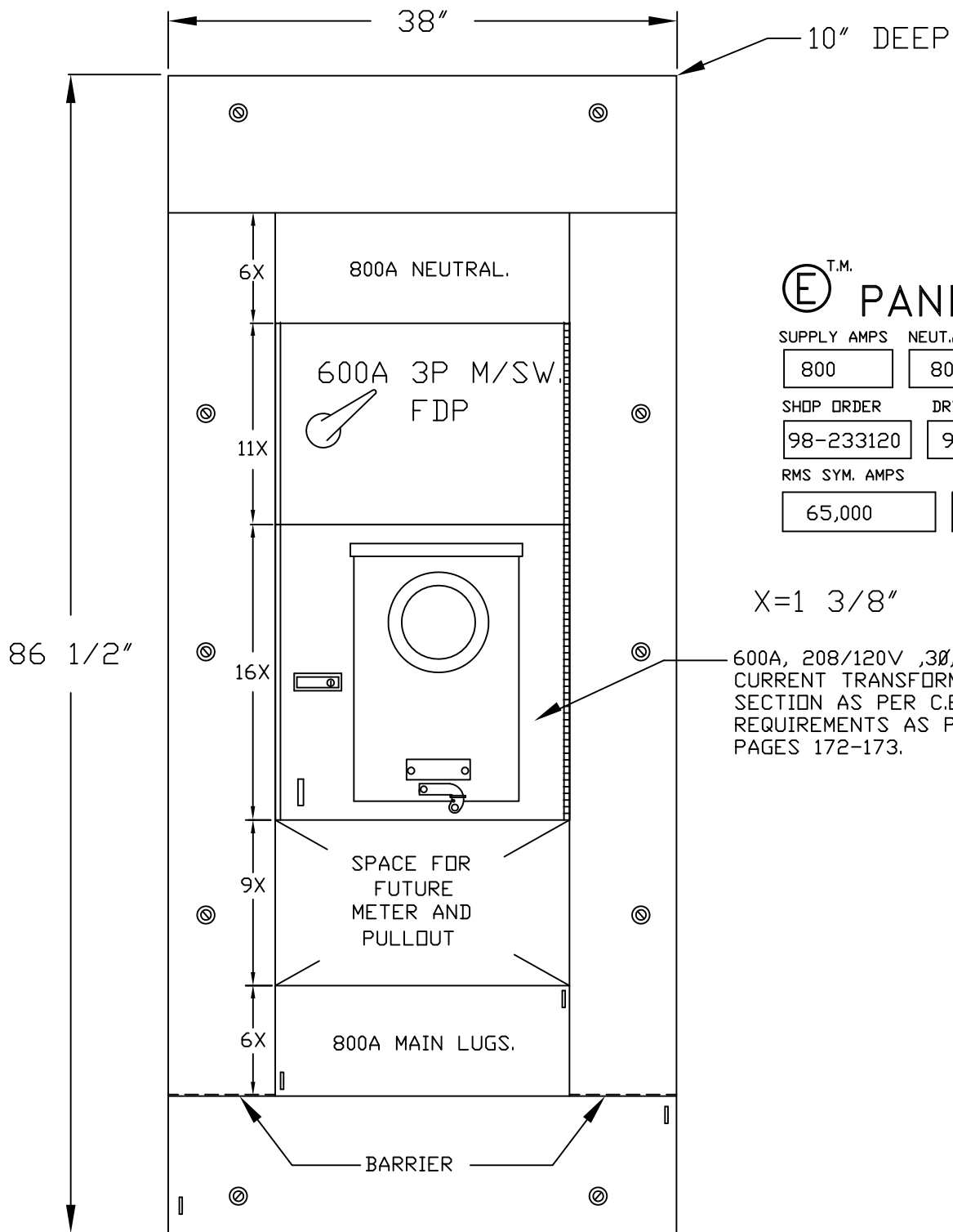
ONE LINE DIAGRAM.

JOB: _____ TITLE: _____



ELECTRICAL EQUIPMENT COMPANY
ELK GROVE VILLAGE, ILLINOIS.

CUSTOMER:				
DWN. BY	CHK. BY	DATE:	S.O.#	DWG.#



E^{T.M.} PANELBOARD

SUPPLY AMPS	NEUT.AMPS	VOLTAGE	PHASE	WIRE
800	800	208/120	3	4
SHOP ORDER	DRWG.NO.	TYPE		
98-233120	998-22	MMP		
RMS SYM. AMPS	VOLTAGE AC			
65,000	208/120			

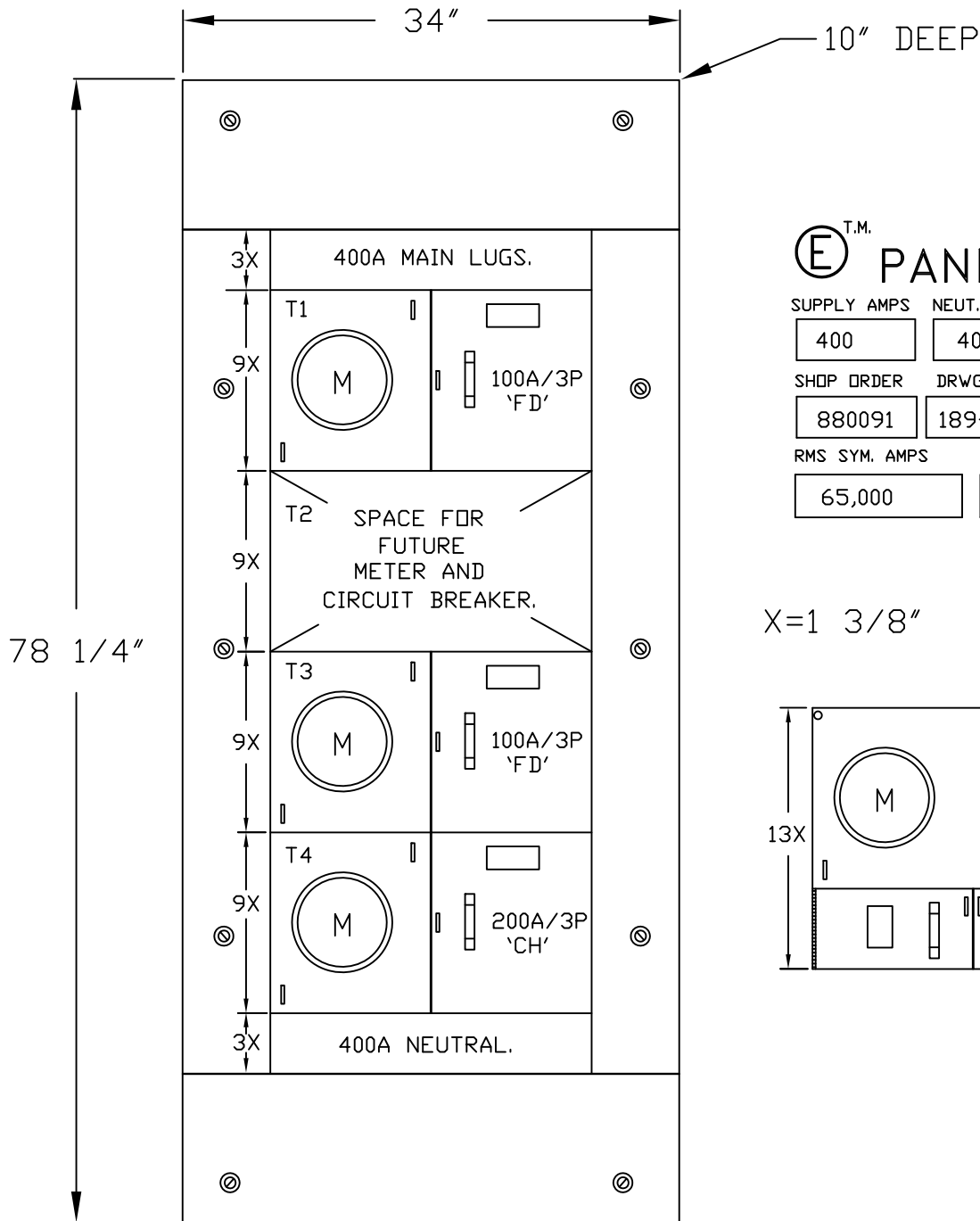
X=1 3/8"

600A, 208/120V ,3Ø, 4W
CURRENT TRANSFORMER
SECTION AS PER C.E.CO.
REQUIREMENTS AS PER
PAGES 172-173.

MODULAR METERING PANEL
800A 208/120V 3PH 4W

CONTRACTOR:				
JOB:	TITLE: MODULAR METERING PANEL			
CUSTOMER:				
DWN.BY K.K.T.	CHK.BY D.S.	DATE: 9/25/98	S.O.#	DWG.#

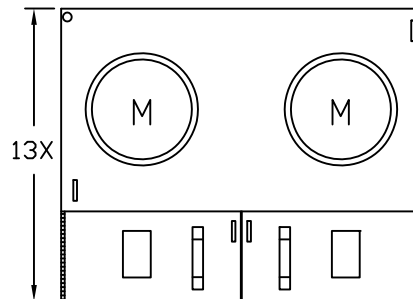




^{T.M.}
E PANELBOARD

SUPPLY AMPS	NEUT. AMPS	VOLTAGE	PHASE	WIRE
400	400	208/120	3	4
SHOP ORDER	DRWG. NO.	TYPE		
880091	189-4	MMP		
RMS SYM. AMPS	VOLTAGE AC			
65,000	208/120			

X=1 3/8"



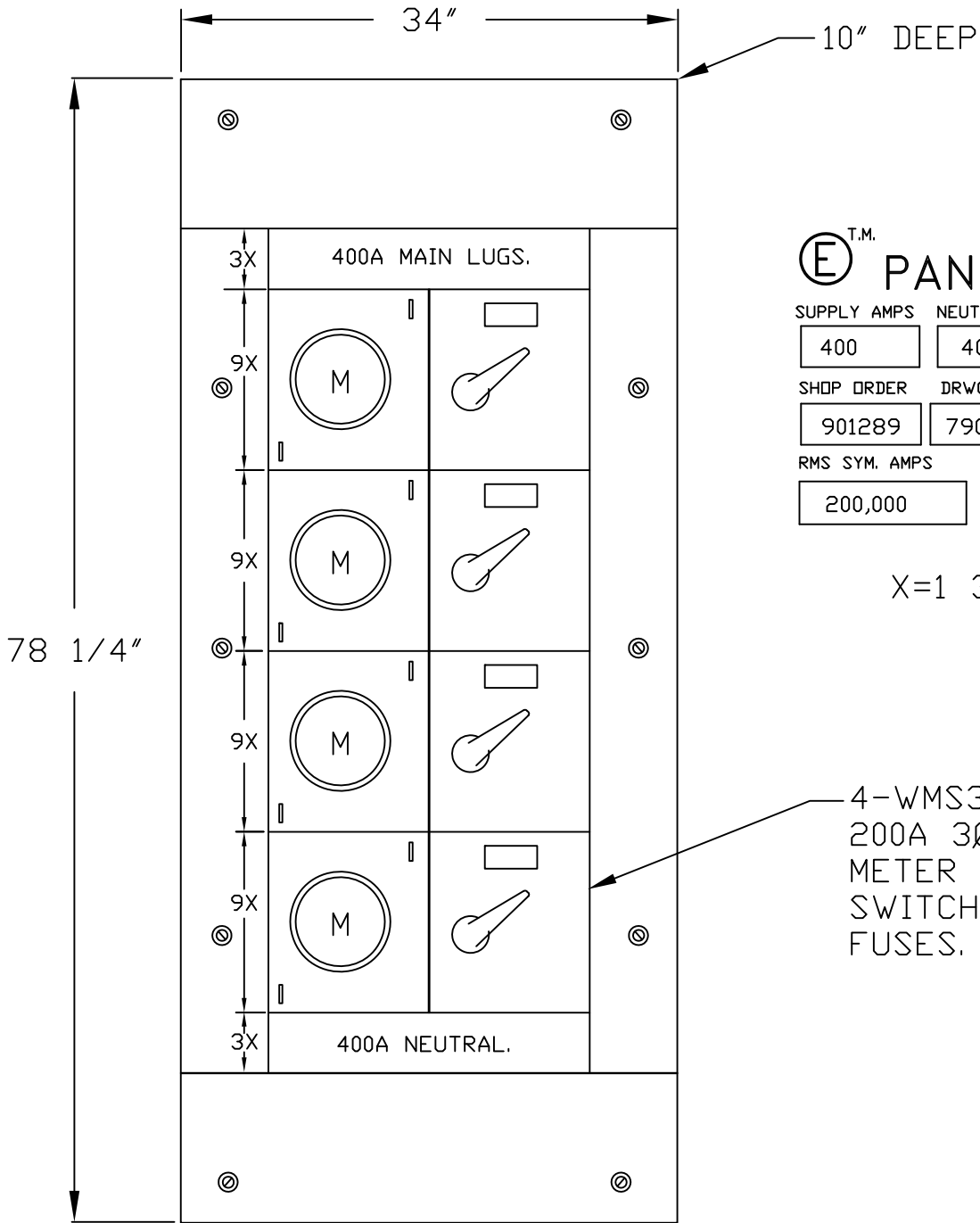
MODULAR METERING PANEL
 208/120 3Ø 4W

JOB: _____ TITLE: _____



ELECTRICAL EQUIPMENT COMPANY
 ELK GROVE VILLAGE, ILLINOIS.

CUSTOMER:				
DWN. BY	CHK. BY	DATE:	S.O.#	DWG.#



E^{T.M.} PANELBOARD

SUPPLY AMPS	NEUT.AMPS	VOLTAGE	PHASE	WIRE
400	400	480/277	3	4

SHOP ORDER	DRWG.NO.	TYPE
901289	790-6	MMP

RMS SYM. AMPS	VOLTAGE AC
200,000	480/277

X=1 3/8"

4-WMS324N
200A 3Ø 4W
METER & PULLOUT
SWITCH WITH 'T'
FUSES.

MODULAR METERING PANEL
480/277 3Ø 4W

JOB: _____ TITLE: _____



ELECTRICAL EQUIPMENT COMPANY
ELK GROVE VILLAGE, ILLINOIS.

CUSTOMER:				
DWN.BY	CHK.BY	DATE:	S.O.#	DWG.#