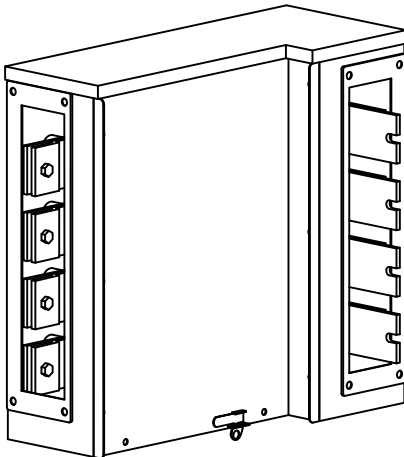


**480Y/277 VOLTS
INSIDE CORNER ELBOW
FOR
ERICKSON ELECTRICAL EQUIPMENT CO.
COMMERCIAL METERING PANELBOARDS
(NON INTERCHANGEABLE WITH 240V. UNITS)
800, 1200 OR 1600 AMP. 3 PHASE 4 WIRE**



FEATURES:

- TYPE 3R ENCLOSURES FOR OUTDOOR OR INDOOR INSTALLATION.
- LISTED BY UNDERWRITERS LABORATORIES INC, UNDER FILE E113674, 'TERMINATION BOXES.'
- COPPER BUS BAR, SILVER PLATED OR ALUMINUM BUS BAR, TIN PLATED.
- ALUMINUM ENCLOSURES NEVER RUST, INSTALL EASILY.

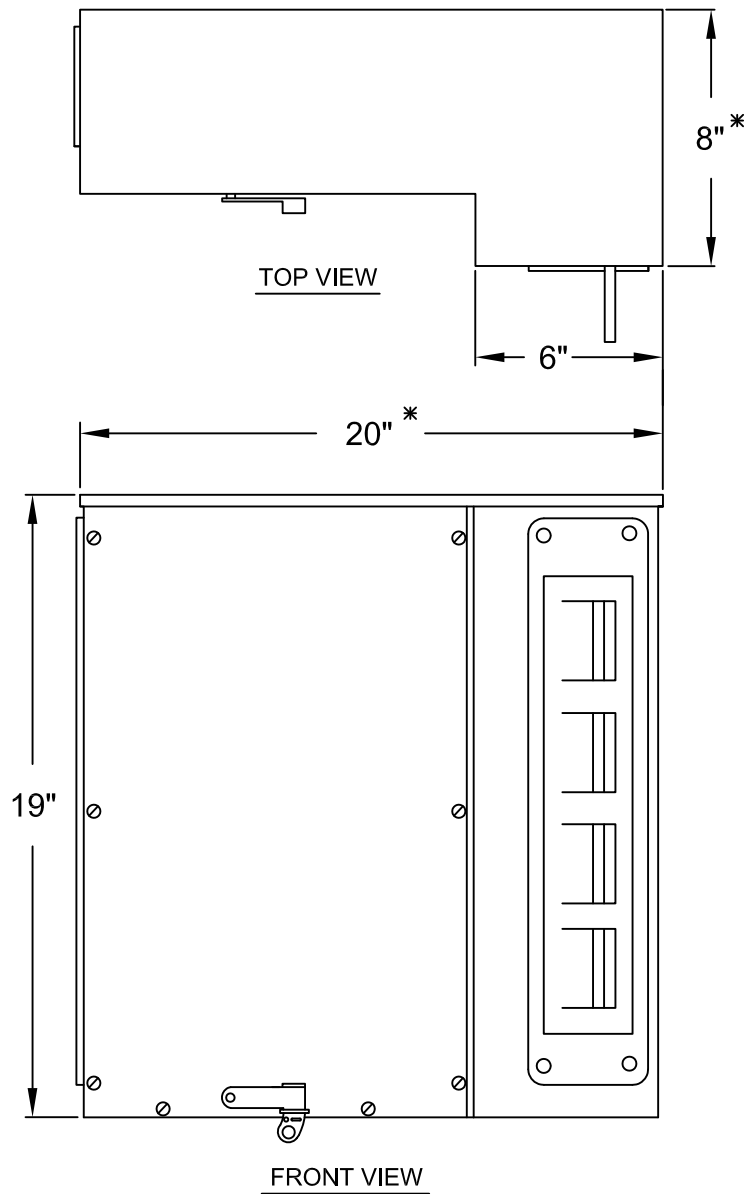


APPLICATION: FOR CONNECTING COMPONENTS OF ERICKSON METERING PANELBOARDS WHICH MUST BE INSTALLED ON ADJACENT INTERSECTING WALLS.

www.ericksonelectric.com

**ERICKSON ELECTRICAL EQUIPMENT CO.
475 BONNIE LANE • ELK GROVE VILLAGE, IL 60007
TELEPHONE: (847) 640-7701 / 1-800-952-7225
FAX: (847) 640-0565**

480Y/277 VOLTS INSIDE CORNER ELBOW



CATALOG 20X8IL468 SHOWN

- 7 = 800A BUS
- 8 = 1200A BUS
- 9 = 1600A BUS

WHEN THESE NUMBERS ARE INTERCHANGED
THE DIMENSIONS OF THE SPACER WILL BE
REVERSE OF THAT SHOWN ABOVE.