

NOVEMBER 1, 2007

BULLETIN

CTA/D-07



[www.ericksonelectric.com](http://www.ericksonelectric.com)

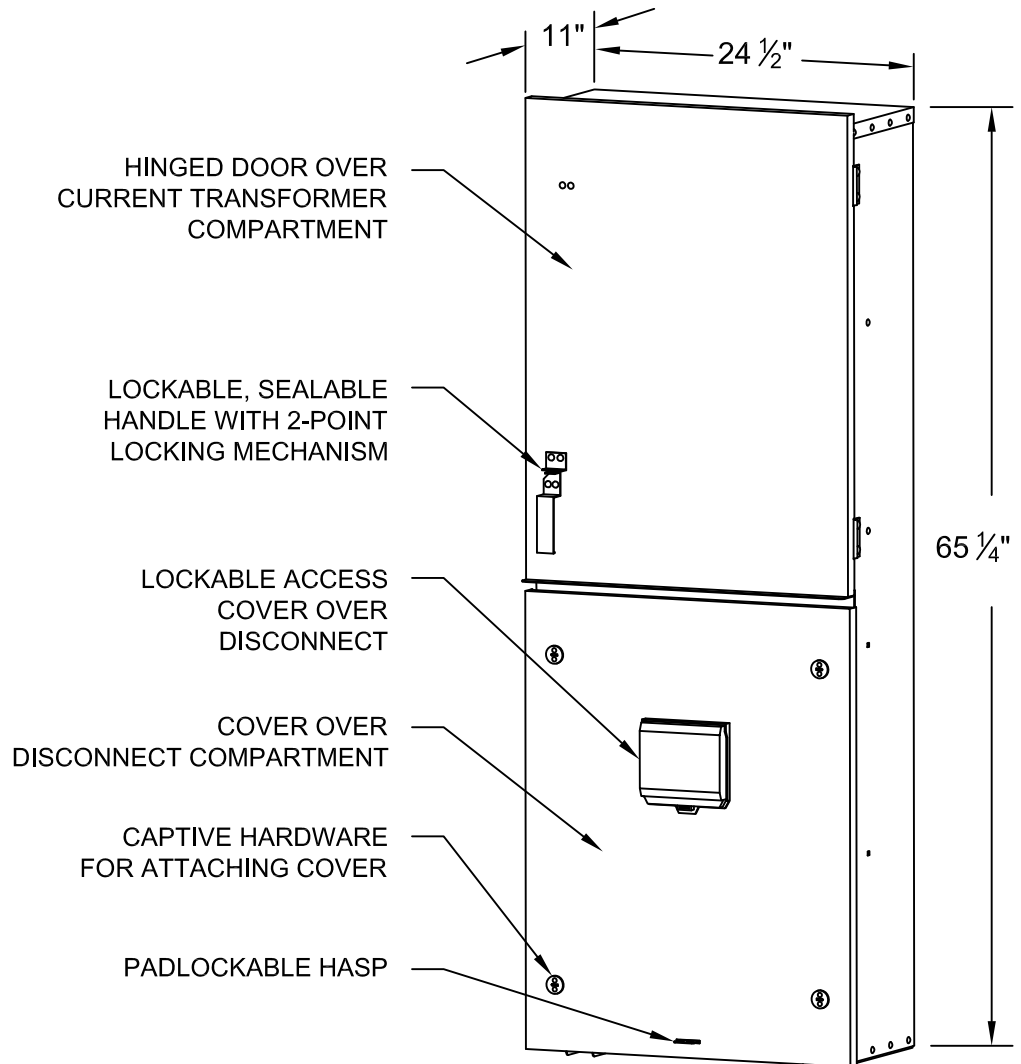
400 AMP.  
COMBINATION  
METERING  
TRANSFORMER  
SECTION  
AND MAIN  
DISCONNECT



SUITABLE FOR  
OVERHEAD OR  
UNDERGROUND  
SERVICE  
CONDUCTORS

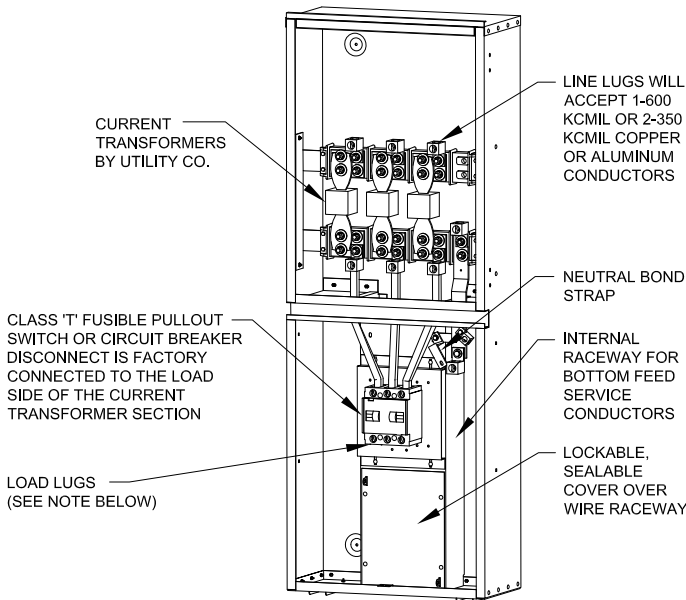
240/120 VOLT  
208Y/120 VOLT  
OR  
480Y/277 VOLT

TYPE 3R ENCLOSURE  
FOR INDOOR OR  
OUTDOOR USE.



AVAILABLE WITH 1-400 AMP  
PULLOUT OR CIRCUIT BREAKER

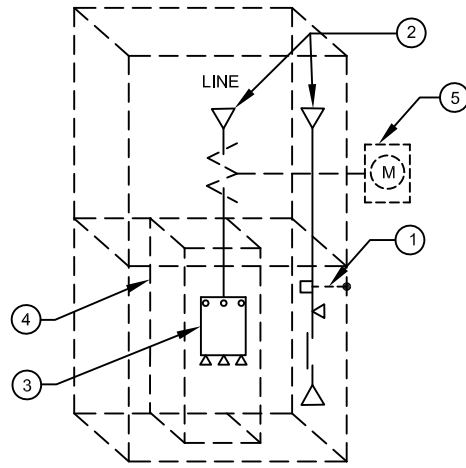
**ERICKSON ELECTRICAL EQUIPMENT CO.**  
475 BONNIE LANE • ELK GROVE VILLAGE, IL 60007  
TELEPHONE: (847) 640-7701 / 1-800-952-7225  
FAX: (847) 640-0565



**LOAD LUGS**

THE 400 AMP PULLOUT SWITCH IS PROVIDED WITH LOAD LUGS THAT WILL ACCEPT 1-500 KCMIL - #2 OR 2-250 KCMIL - #1/0 COPPER OR ALUMINUM CONDUCTORS PER TERMINAL.

THE 400 AMP CIRCUIT BREAKER CAN BE PROVIDED WITH LOAD LUGS THAT WILL ACCEPT 1-500 KCMIL - 250 KCMIL (TERMINAL KIT TA350K) OR 2-250 KCMIL - #3/0 COPPER OR ALUMINUM CONDUCTORS PER TERMINAL. (TERMINAL KIT 3TA400K) PLEASE SPECIFY AT TIME OF ORDER.



**ONE LINE DIAGRAM**

- ① NEUTRAL BOND (FOR SERVICE ENTRANCE EQUIPMENT)
- ② LINE LUGS
- ③ PULL OUT OR CIRCUIT BREAKER DISCONNECT
- ④ METAL RACEWAY FOR UNMETERED SERVICE CONDUCTORS (FOR UNDERGROUND SERVICE CONDUCTORS)
- ⑤ CURRENT TRANSFORMERS & METER (NOT PROVIDED)

| CATALOG NUMBERS | SYSTEM | VOLTAGE  | DISCONNECT TYPE                   | SHORT CIRCUIT CURRENT RATING | SHIPPING WT. |
|-----------------|--------|----------|-----------------------------------|------------------------------|--------------|
| CTADK325N       | 1Ø 3W  | 240/120  | 'DK' CIRCUIT BREAKER              | 65,000 A.                    | 160 LBS.     |
| CTADK425N       | 3Ø 4W  | 208Y/120 |                                   |                              |              |
| CTAKD465N       | 3Ø 4W  | 480Y/277 | 'KD' CIRCUIT BREAKER              | 35,000 A.                    |              |
| CTAP325N *      | 1Ø 3W  | 240/120  | CLASS 'T' FUSIBLE PULL OUT SWITCH | 200,000 A.                   |              |
| CTAP425N *      | 3Ø 4W  | 208Y/120 |                                   |                              |              |
| CTAP465N **     | 3Ø 4W  | 480Y/277 |                                   |                              |              |

\* USE CLASS 'T' FUSES RATED 300 VOLTS

\*\* USE CLASS 'T' FUSES RATED 600 VOLTS

NOTE: ADD THE SUFFIX "PT" IF PROVISIONS FOR MOUNTING POTENTIAL TRANSFORMER IS REQUIRED BY THE UTILITY COMPANY FOR 480Y/277V METERING.

CLASS 'T' FUSES MAY NOT BE SUITABLE FOR APPLICATIONS WHERE LARGE INRUSH CURRENTS ARE ENCOUNTERED.

**ERICKSON ELECTRICAL EQUIPMENT CO.**  
 475 BONNIE LANE • ELK GROVE VILLAGE, IL 60007  
 TELEPHONE: (847) 640-7701 / 1-800-952-7225  
 FAX: (847) 640-0565