

JANUARY 1, 2007

BULLETIN

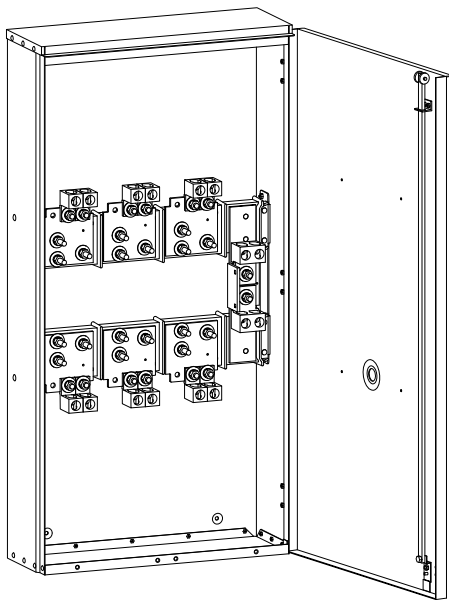
CT-07A

ERICKSON ELECTRICAL EQUIPMENT CO.
WALL MOUNTED
METERING TRANSFORMER CABINETS

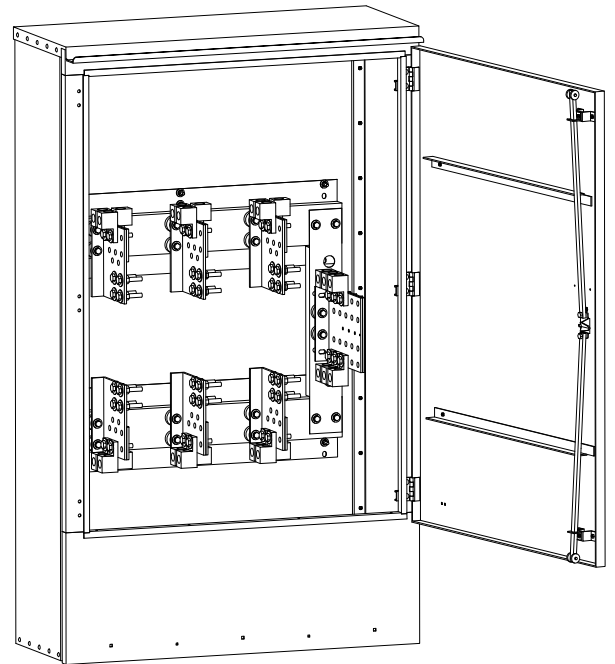
APPROVED 400 - 2000 AMP

600 VOLT MAXIMUM

FOR INDOOR OR OUTDOOR USE (TYPE 3R CONSTRUCTION)



400 AMP. Thru 800 AMP.



1200 AMP. Thru 2000 AMP.



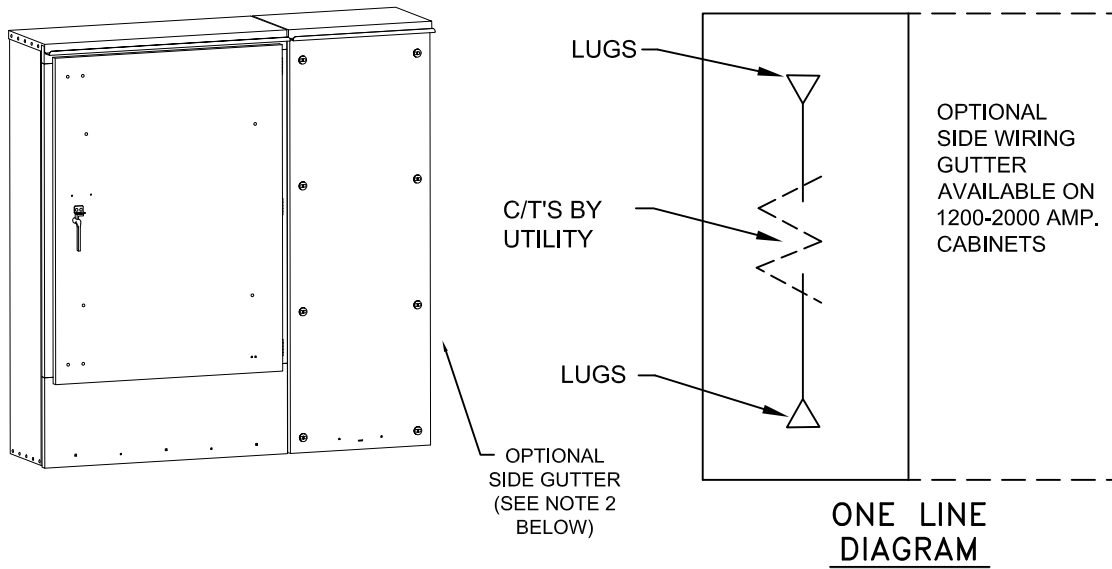
FILE NO. E62784

www.ericksonelectric.com

ERICKSON ELECTRICAL EQUIPMENT CO.
475 BONNIE LANE • ELK GROVE VILLAGE, IL 60007
TELEPHONE: (847) 640-7701 / 1-800-952-7225
FAX: (847) 640-0565

GENERIC CATALOG NUMBERS

AMPACITY	1 ϕ 3W	3 ϕ 3W	3 ϕ 4W	NO.OF LUGS PER PHASE #4-600 MCM	UNPROTECTED FAULT CURRENT RATING	ENCLOSURE SIZE			SHIPPING WEIGHTS
						WIDTH	HEIGHT	DEPTH	
400	1182-1	1182-1	1182-2	1	42,000 Amp	20"	45 1/2"	7 1/4"	65#
600-800	283-1	283-1	283-2	2	65,000 Amp	24"	48"	8"	3W-85#
									4W-90#
1200	CT121	CT123	CT124	3	85,000 Amp	36"	64"	15"	3W-240#
									4W-260#
1600	CT161	CT163	CT164	4	85,000 Amp	36"	64"	15"	3W-260#
									4W-280#
2000	CT201	CT203	CT204	5	85,000 Amp	40"	64"	15"	3W-280#
									4W-300#



1. ENCLOSURES ARE ALUMINUM TYPE 3R FOR INDOOR OR OUTDOOR USE.
2. CABINETS RATED 1200 AND ABOVE MAY BE ORDERED WITH AN OPTIONAL SIDE WIRING GUTTER ON THE LEFT OR RIGHT. THE SIDE GUTTER ALLOWS CONDUCTORS TO ENTER AND EXIT THE BOTTOM. ADD SUFFIX -SG TO CATALOG NUMBER AND SPECIFY LOCATION AT TIME OF ORDER.
3. THESE CABINETS CAN BE PROVIDED WITH CURRENT TRANSFORMER LINKS & SUPPORTS WHEN WINDOW TYPE CURRENT TRANSFORMERS ARE PROVIDED BY THE UTILITY.
4. AVAILABLE WITH OPTIONAL ENCLOSURE FOR MOUNTING UTILITY-PROVIDED POTENTIAL TRANSFORMERS WHEN REQUIRED BY THE UTILITY FOR SERVICE VOLTAGES ABOVE 240V.

ERICKSON ELECTRICAL EQUIPMENT CO.
 475 BONNIE LANE • ELK GROVE VILLAGE, IL 60007
 TELEPHONE: (847) 640-7701 / 1-800-952-7225
 FAX: (847) 640-0565