

JANUARY 1, 2007

BULLETIN

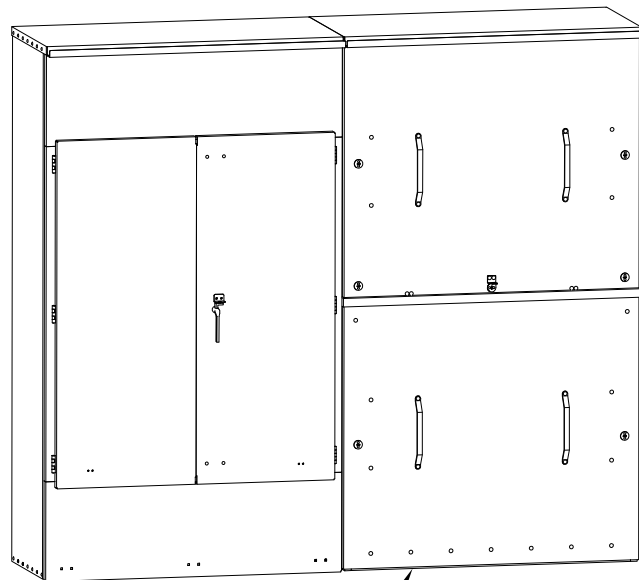
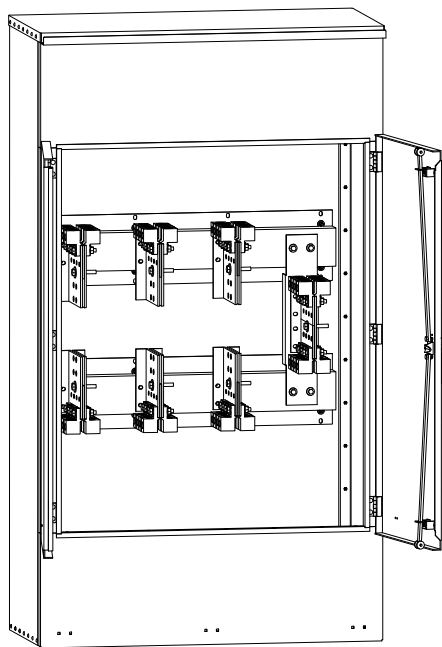
**CT-07E**

ERICKSON ELECTRICAL EQUIPMENT CO.  
WALL MOUNTED  
**METERING TRANSFORMER CABINETS**

APPROVED 2500 - 4000 AMP

600 VOLT MAXIMUM

FOR INDOOR OR OUTDOOR USE (TYPE 3R CONSTRUCTION)



OPTIONAL SIDE  
WIRING GUTTER



FILE NO. E62784

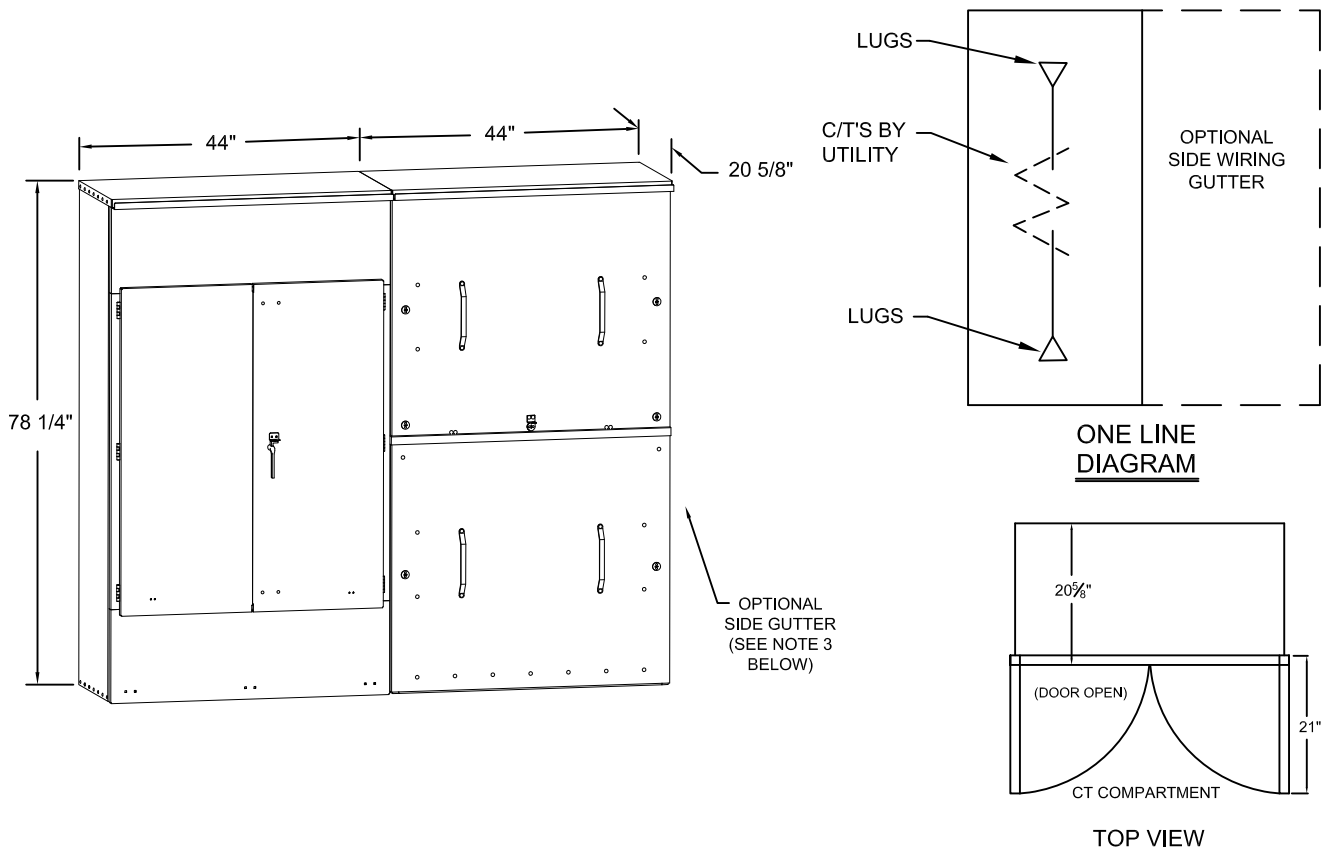
[www.ericksonelectric.com](http://www.ericksonelectric.com)

ERICKSON ELECTRICAL EQUIPMENT CO.  
475 BONNIE LANE • ELK GROVE VILLAGE, IL 60007  
TELEPHONE: (847) 640-7701 / 1-800-952-7225  
FAX: (847) 640-0565

# METERING TRANSFORMER CABINET

## 600 V MAX CATALOG NUMBERS

AMPACITY	3Ø 4W	LUGS PER PHASE 300-800 KCM	UNPROTECTED FAULT CURRENT RATING
2500	CT254	7	85,000 Amp
3000	CT304	8	85,000 Amp
4000	CT404	10	85,000 Amp



- ENCLOSURES ARE ALUMINUM TYPE 3R FOR INDOOR OR OUTDOOR USE.
- METERING TRANSFORMER CABINETS ARE EQUIPPED WITH REMOVABLE BUS SECTIONS WITH MOUNTING SUPPORTS TO ACCOMMODATE WINDOW TYPE CURRENT TRANSFORMERS.
- METERING TRANSFORMER CABINETS MAY BE ORDERED WITH AN OPTIONAL SIDE WIRING GUTTER ON THE LEFT OR RIGHT. THE SIDE GUTTER ALLOWS CONDUCTORS TO ENTER AND EXIT THE BOTTOM. ADD SUFFIX -SG TO CATALOG NUMBER AND SPECIFY LOCATION AT TIME OF ORDER.

**ERICKSON ELECTRICAL EQUIPMENT CO.**  
 475 BONNIE LANE • ELK GROVE VILLAGE, IL 60007  
 TELEPHONE: (847) 640-7701 / 1-800-952-7225  
 FAX: (847) 640-0565