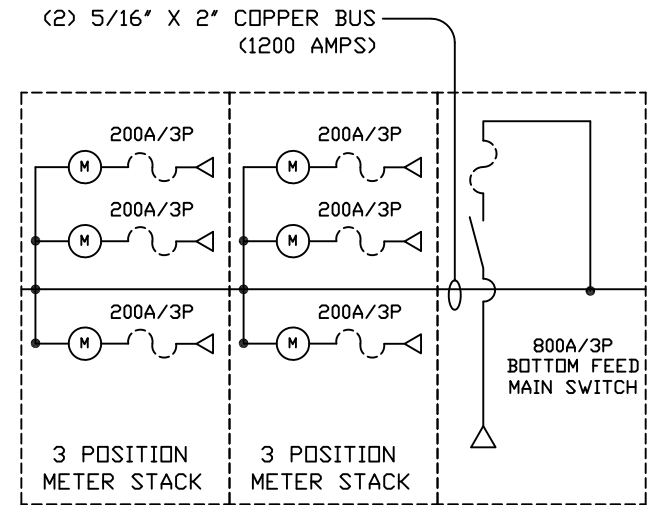



FRONT ENCLOSED VIEW



ONE LINE DIAGRAM

NOTES:

- ALL COMPONENTS ARE UL LISTED
- ALL ENCLOSURES ARE OF CODE GA. ALUMINUM, TYPE 3R
- UNITS SHIP SEPARATELY FOR FIELD INSTALLATION
- MAIN DEVICES ARE SUITABLE FOR USE WITH COPPER OR ALUMINUM CONDUCTORS BASED ON AMPACITY AT 75°C
- THE SHORT CIRCUIT CURRENT RATING OF THIS ASSEMBLY IS 200,000 A.I.C.
- FUSES NOT PROVIDED

JOB:		TITLE: 800A METER CENTER 3PH 4W, 480Y/277V		
CUSTOMER:		CONTRACTOR:		
REVISION	DWN EM	 ELECTRICAL EQUIPMENT COMPANY ELK GROVE VILLAGE, ILLINOIS (847)-646-7701 MANUFACTURERS	S.O.	
	CHK MM		DATE: 5/2/07 SCALE:	DWG. 507-4
	APP.			