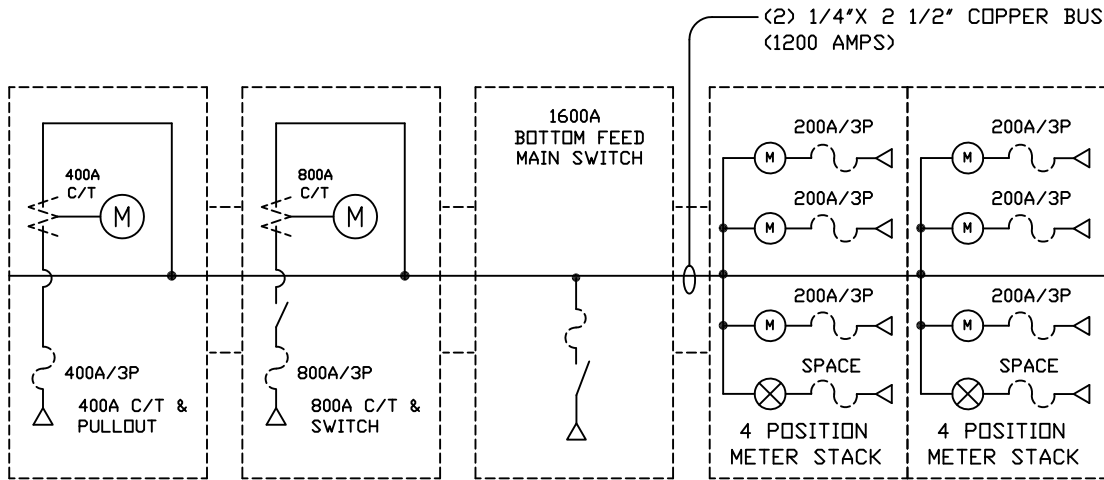




**FRONT ENCLOSED VIEW**



**ONE LINE DIAGRAM**

**NOTES:**

- ALL COMPONENTS ARE UL LISTED
- ALL ENCLOSURES ARE OF CODE GA. ALUMINUM, TYPE 3R
- UNITS SHIP SEPARATELY FOR FIELD INSTALLATION
- MAIN DEVICES ARE SUITABLE FOR USE WITH COPPER OR ALUMINUM CONDUCTORS BASED ON AMPACITY AT 75°C
- THE SHORT CIRCUIT CURRENT RATING OF THIS ASSEMBLY IS 200,000 A.I.C.
- FUSES NOT PROVIDED

JOB:		TITLE: 1600A METER CENTER 3PH 4W, 208Y/120V		
CUSTOMER:		CONTRACTOR:		
REVISION	DWN. EM	 <b>ELECTRICAL EQUIPMENT COMPANY</b> ELK GROVE VILLAGE, ILLINOIS MANUFACTURERS (847)-846-7701	S.O.	
	CHK. DS		 <b>ELECTRICAL EQUIPMENT COMPANY</b> ELK GROVE VILLAGE, ILLINOIS MANUFACTURERS (847)-846-7701	DWG. 408-9
	APP.			
	DATE: 4/9/08			
	SCALE:			