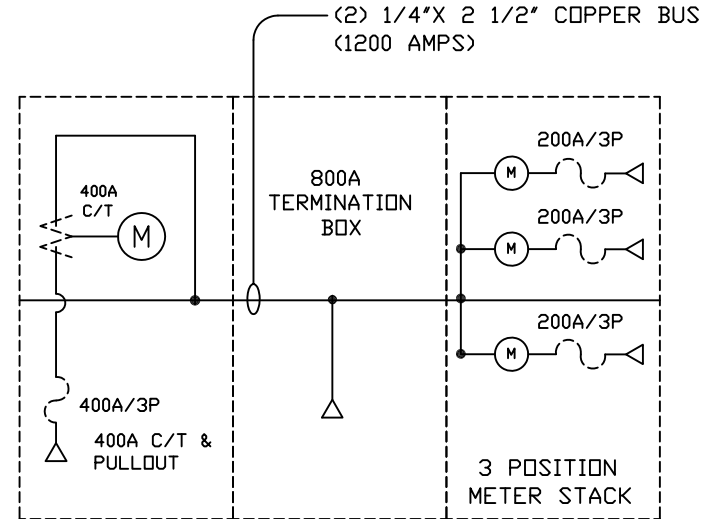



FRONT ENCLOSED VIEW



ONE LINE DIAGRAM

NOTES:

- ALL COMPONENTS ARE UL LISTED
- ALL ENCLOSURES ARE OF CODE GA. ALUMINUM, TYPE 3R
- UNITS SHIP SEPARATELY FOR FIELD INSTALLATION
- MAIN DEVICES ARE SUITABLE FOR USE WITH COPPER OR ALUMINUM CONDUCTORS BASED ON AMPACITY AT 75°C
- THE SHORT CIRCUIT CURRENT RATING OF THIS ASSEMBLY IS 200,000 A.I.C.
- FUSES NOT PROVIDED

JOB:		TITLE: 800A METER CENTER 3PH 4W, 208Y/120V	
CUSTOMER:		CONTRACTOR:	
REVISION	DRAWN: EM	 ELECTRICAL EQUIPMENT COMPANY ELK GROVE VILLAGE, ILLINOIS (847)-840-7701 MANUFACTURERS	S.O.
	CHECK: MM		
	APP.		
	DATE: 4/30/08		
	SCALE:		DWG. 408-25